

Door Closer - Surface Mounted

DC200

ASSA ABLOY

Door Closer

DC200

Description:

- Rack and Pinion door closer with link arm L190
- In compliance with EN1154, size 2-4
- For single action doors up to 1100mm wide
- Suitable for fire and smoke protection doors



Characteristics:

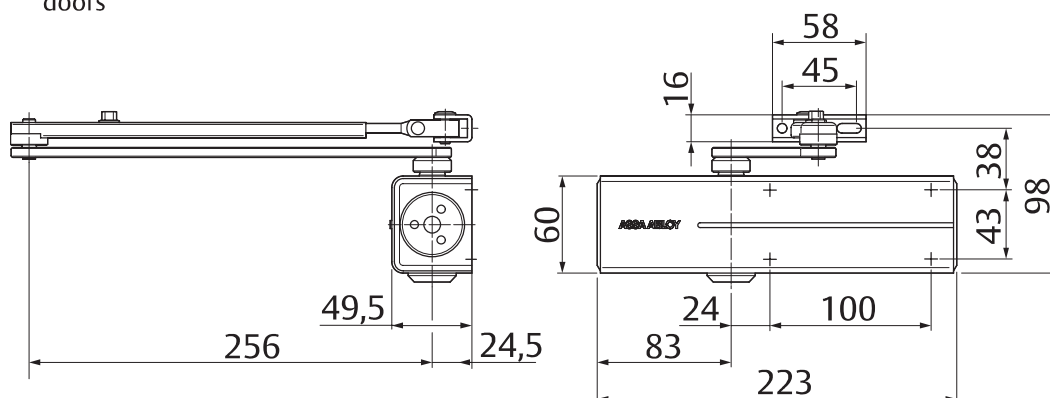
- Can be used with integrated concealed mounting plate, suitable for fire and smoke protection doors
- Can be used for left and right-handed doors
- Link arm height-adjustable up to 14mm
- Closing speed, latching speed and back-check adjustable via front facing regulating valves
- Thermodynamic valves for consistent performance
- Adjustable closing force
- Opening angle up to 180°
- Effective back-check and latching speed range adjustable
- Large range of applications
- Standard colours: Silver EV1; White, similar to RAL9016; Brown, similar to RAL8014; Black, similar to RAL9005
- Customized finishes available on request



CE	ASSA ABLOY	10	
	Sicherheitstechnik GmbH		
Bildstockstraße 20			
72458 Albstadt			
1162-CPD-0484	EN 1154:1996+A1:2002	4	8
Dangerous substances: None		4	2
		1	1
		4	4

Characteristics for hold open link arm L191:

- Hold-open angle adjustable up to 150°
- Hold-open mode can be enabled and disabled as required
- Same installation as link arm
- Cannot be used with fire and smoke protection doors



Door Closer - Surface Mounted

DC200

ASSA ABLOY

Door Closer

Technical details for DC200

Technical attributes	
Closing force	EN 2-4
Door width up to	1100 mm
Suitable for fire doors	Yes
Handing	Left / right handed
Closing speed	Variable between 180°-15°
Latching speed	Variable between 15°-0°
Backcheck	Variable above 75°
Hold-open mode (with hold-open link arm L191)	Adjustable 75°-150°, can be enabled and disabled
Weight	1.6 kg
Height	60 mm
Depth	49.5 mm
Length	223 mm
Certified in compliance with	EN 1154
CE marking for building products	Yes

Door Closer

Specifications for DC200

Specifications:

- Closing power adjustable, size EN2-4, for doors up to 1100mm wide
- Closing speed, latching speed and back-check adjustable via front facing regulating valves
- Can be used with integrated concealed mounting plate, suitable for fire and smoke protection doors
- CE approved
- 14mm height adjustable arm system for ease of fitting
- Suitable for left and right-handed doors

Finishes

- Silver EV1
- White, similar to RAL9016
- Black, similar to RAL9005
- Brown, similar to RAL8014
- Stainless steel full cover
- Customized finish



Accessories:

- Link arm L190
- Hold-open link arm L191
- Mounting plate A120
- Angle bracket A122
- Parallel arm bracket for parallel
- arm mounting A154

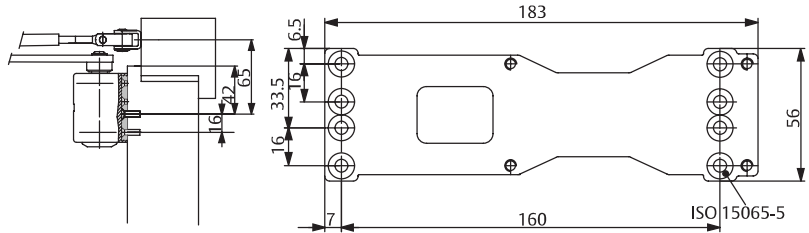
Door Closer - Surface Mounted

DC200

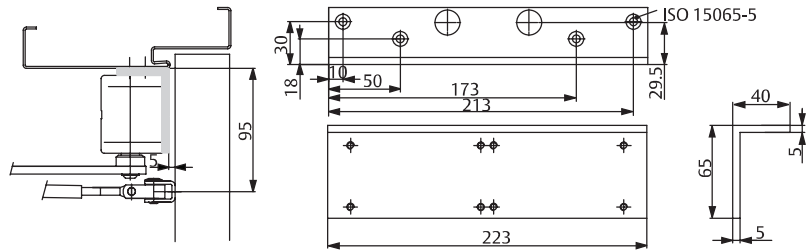
ASSA ABLOY

Door Closer Accessories for DC200

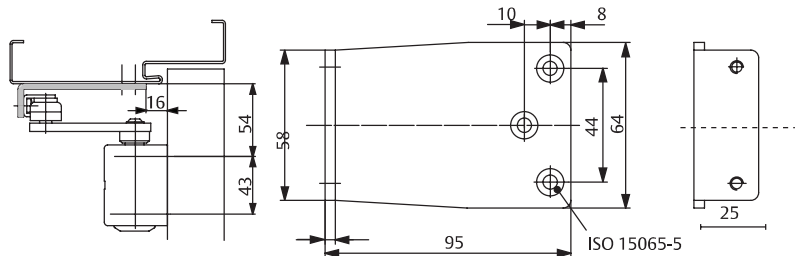
Mounting plate A120:
For mounting with drilling template according to EN1154 Supplement 1 (fire and smoke protection doors) and for universal use.



Angle bracket A122:
For frame mounting in case of deep jamb, headroom reduced by 70mm. Check suitability for use on fire and smoke protection doors.



Parallel arm bracket A154:
For frame mounting in case of deep jamb, headroom reduced by 70mm. Check suitability for use on fire and smoke protection doors.



Ordering Code

Designation / Item	Order no.
DC200, EN size 2-4, silver EV1	DC200-----DEV1-
DC200, EN size 2-4, white, similar to RAL9016	DC200-----D9016
DC200, EN size 2-4, brown, similar to RAL8014	DC200-----D8014
DC200, EN size 2-4, black, similar to RAL9005	DC200-----D9005
DC200, EN size 2-4, customised finish	DC200-----DXXXX
Link arm L190, silver EV1	DCL190-----EV1-
Link arm L190, white, similar to RAL9016	DCL190-----9016
Link arm L190, brown, similar to RAL8014	DCL190-----8014
Link arm L190, black, similar to RAL9005	DCL190-----9005
Link arm L190, stainless steel	DCL190-----35--
Link arm L190, customised finish	DCL190-----XXXX
Hold-open link arm L191, silver EV1 (Cannot be used with fire and smoke protection doors)	DCL191-----EV1-
Hold-open link arm L191, white, similar to RAL9016 (Cannot be used with fire and smoke protection doors)	DCL191-----9016
Hold-open link arm L191, brown, similar to RAL8014 (Cannot be used with fire and smoke protection doors)	DCL191-----8014
Hold-open link arm L191, black, similar to RAL9005 (Cannot be used with fire and smoke protection doors)	DCL191-----9005
Hold-open link arm L191, customised finish (Can-	DCL191-----XXXX

Designation / Item	Order no.
Mounting plate A120, galvanise	DCA120-----40
Angle bracket A122, silver EV1	DCA122-----EV1-
Angle bracket A122, white, similar to RAL9016	DCA122-----9016
Angle bracket A122, brown, similar to RAL8014	DCA122-----8014
Angle bracket A122, black, similar to RAL9005	DCA122-----9005
Angle bracket A122, customised finish	DCA122-----XXXX
Parallel arm bracket A154, silver EV1	DCA154-----EV1-
Parallel arm bracket A154, white, similar to RAL9016	DCA154-----9016
Parallel arm bracket A154, brown, similar to RAL8014	DCA154-----8014
Parallel arm bracket A154, black, similar to RAL9005	DCA154-----9005
Parallel arm bracket A154, stainless steel	DCA154-----35--
Parallel arm bracket A154, customised finish	DCA154-----XXXX
Glass door shoe A164, silver EV1	DCA164-----EV1-
Mounting plate A168, for link arm, silver EV1	DCA168-----EV1-
Full stainless steel cover A172	DCA172-----35--