

Door Closer - Surface Mounted

DC500

ASSA ABLOY

Door Closer

DC500 Cam-Motion®

Description:

- Door closer with Cam-Motion® technology and height-adjustable guide rail G195 or standard guide rail G193
- Fulfills barrier-free building requirements (DDA/ CEN TR 15894)
- Certified in compliance with EN1154, size EN1-4
- Suitable for fire and smoke protection doors
- For single action doors up to 1100mm wide
- Can be used in four installation types: Hinge and non-hinge side in standard and frame installation



CE	Abloy OY	10
	PO Box 108 80101 Joensuu, Finland	
1162-CPD-0464	EN 1154:1996+A1:2002	3 8 4 1 1 4



Characteristics:

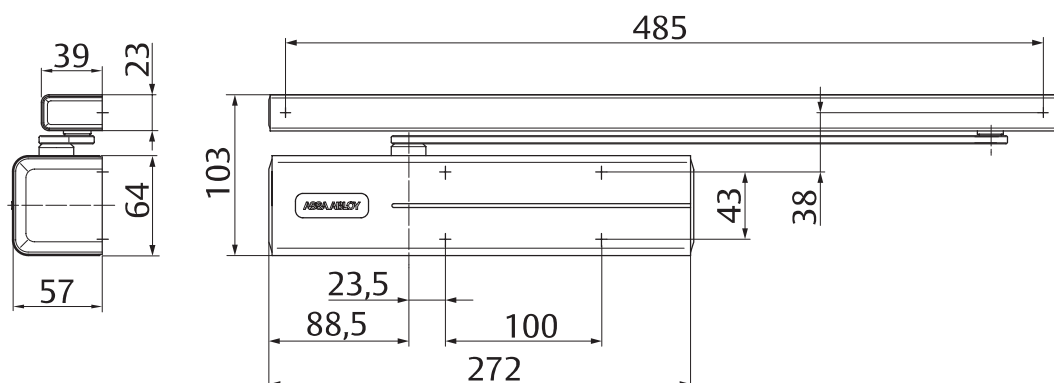
- Can be used with integrated concealed mounting plate, suitable for fire and smoke protection doors
- Can be used for left and right-handed doors
- Axis continuously height adjustable up to 14mm
- Closing speed, latching speed and back-check adjustable via front facing regulating valves
- Thermodynamic valves for consistent performance
- Adjustable closing force
- Opening angle up to 170°
- Effective back-check and latching speed range adjustable
- Large range of applications
- Standard colours: silver EV1; White, similar to RAL9016; Brown, similar to RAL8014; Black, similar to RAL9005
- Customized finishes available on request

Characteristics for guide rail G195:

- Height-adjustable by 2mm for tolerance
- Concealed fastening screws
- Installation dimensions: see diagram doors

Characteristics of standard guide rail G193:

- Without protective cover
- Visible fastening screws
- Installation dimensions: see diagram (dimensions in brackets)



Door Closer - Surface Mounted

DC500

ASSA ABLOY

Door Closer

Technical details for DC500

Technical attributes	
Closing force	EN 1-4
Door width up to	1100 mm
Suitable for fire doors	Yes
Handing	Left / right handed
Mounting method	Standard and frame installation
Closing speed	Variable between 170°-10°
Latching speed	Variable between 10°-0°
Backcheck	Variable above 75°
Max. door opening angle hinge side	ca. 170°
Max. door opening angle non-hinge side	Ca. 120°
Weight	2.7 kg
Height	64 mm
Depth	57 mm
Length	272 mm
Certified in compliance with	EN 1154
CE marking for building products	Yes

Door Closer

Specifications for DC500

Specifications:

ASSA ABLOY Door Closer DC500 with Cam-Motion® technology and guide rail is in compliance with EN1154.

- Closing power continuously adjustable, EN1-4, for doors up to 1100mm wide
- Closing speed, latching speed and back-check adjustable via front facing regulating valves
- Can be used with integrated concealed mounting plate, suitable for fire and smoke protection doors
- CE approved
- 14mm height adjustable arm system for ease of fitting
- Standard and frame mounting on hinge and non-hinge side of the door
- Suitable for left and right-handed doors

Finishes

- Silver EV1
- White, similar to RAL9016
- Black, similar to RAL9005
- Brown, similar to RAL8014
- Stainless steel full cover
- Stainless steel designed cover
- Customized finish

