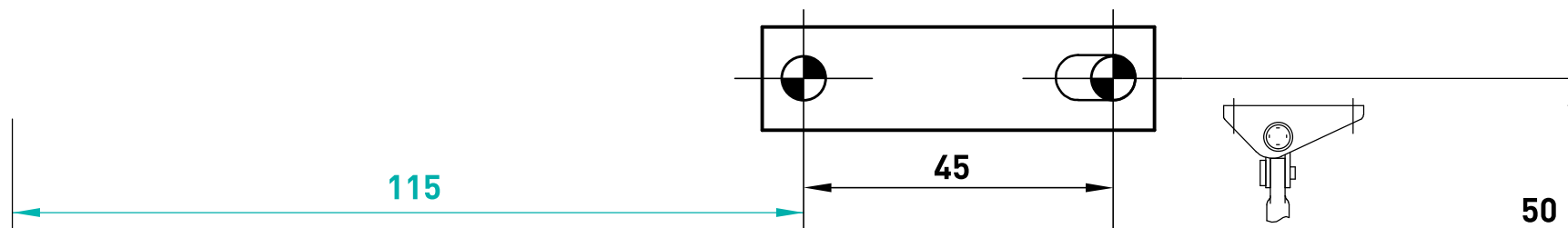
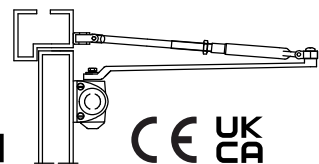


# 28831 83 SERIES DOOR CLOSER

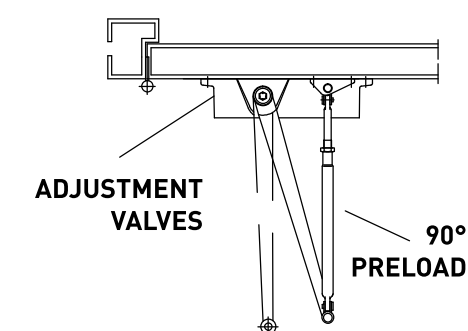
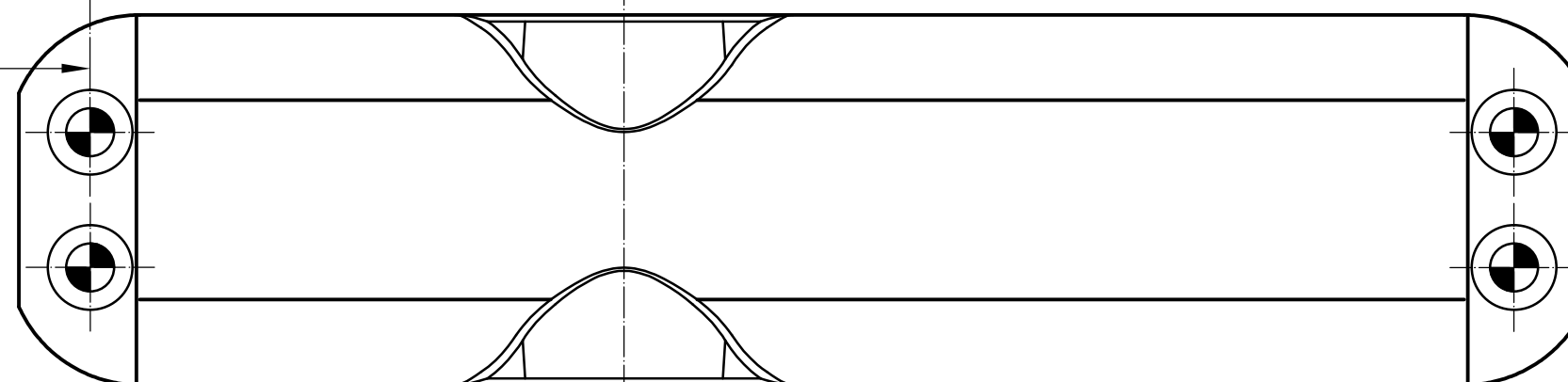
**EN3  
REGULAR  
FIXING FIG 1**



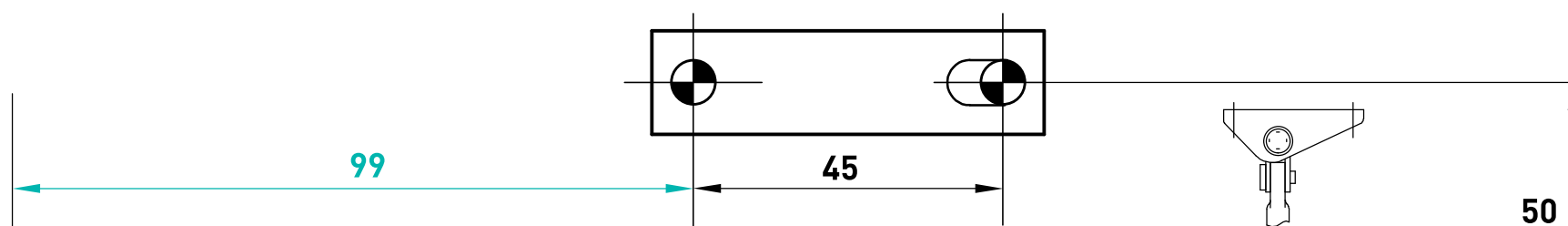
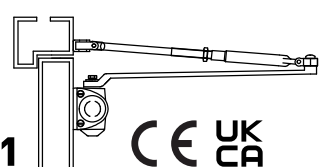
**PULL SIDE**

95

Maximum Opening Angle - 170°



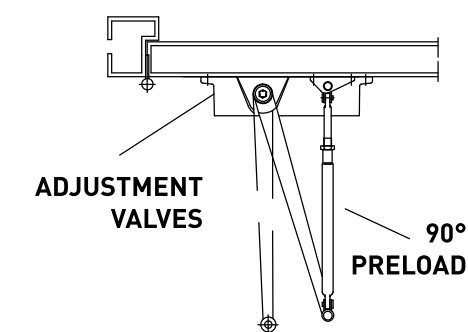
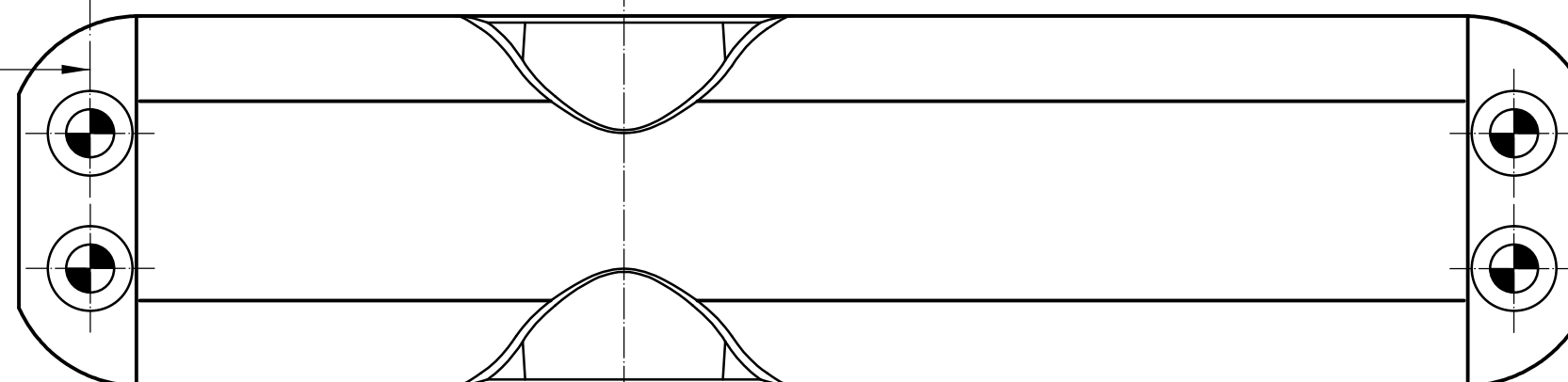
**EN4  
REGULAR  
FIXING FIG 1**



**PULL SIDE**

95

Maximum Opening Angle - 170°



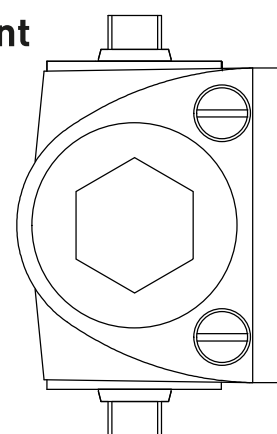
	Frisko (UK) Sales Ltd Unit 14 Pindar Road Hoddesdon EN11 0DE	24		Frisko (UK) Sales Ltd Unit 14 Pindar Road Hoddesdon EN11 0DE	24
EN 1154:1996 + A1:2002	3 8 4 1 1 3		EN 1154:1996 + A1:2002	3 8 4 1 1 3	
2812-CPR-AD8080	DoP No. 83-AD8080		1121-CPR-UK-AD8089	DoP No. 83-AD8089	
certifire CF6145	Dangerous Substances: None		certifire CF6145	Dangerous Substances: None	

**FRISCO**  
UK SALES LIMITED  
Unit 14 Pindar Road, Hoddesdon, EN11 0DE  
T: +44 1992 443 010 | E: sales@frisco.co.uk  
W: www.frisco.co.uk

**eclipse**  
ARCHITECTURAL  
HARDWARE



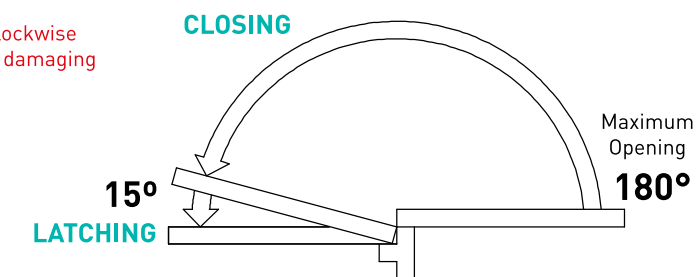
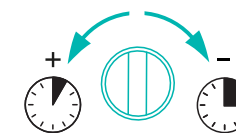
## Valve Adjustment



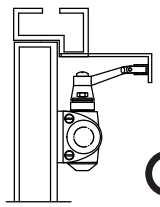
**CLOSING  
SPEED**

**LATCHING  
SPEED**

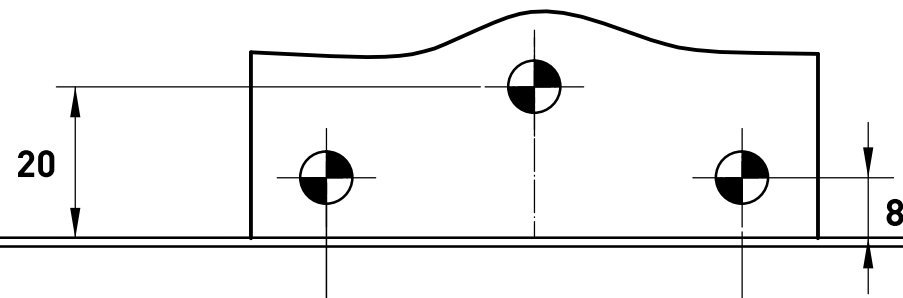
**CAUTION**  
Adjusting valves more than 3 full turns anti-clockwise from factory settings will result in oil leakage damaging the door closer



**EN3**  
**PARALLEL**  
**FIXING FIG 66**

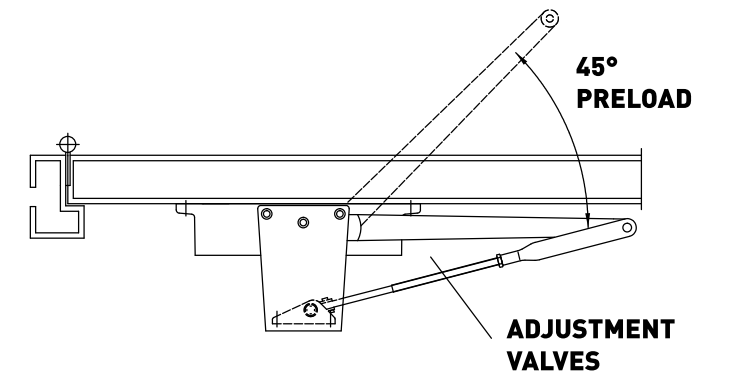
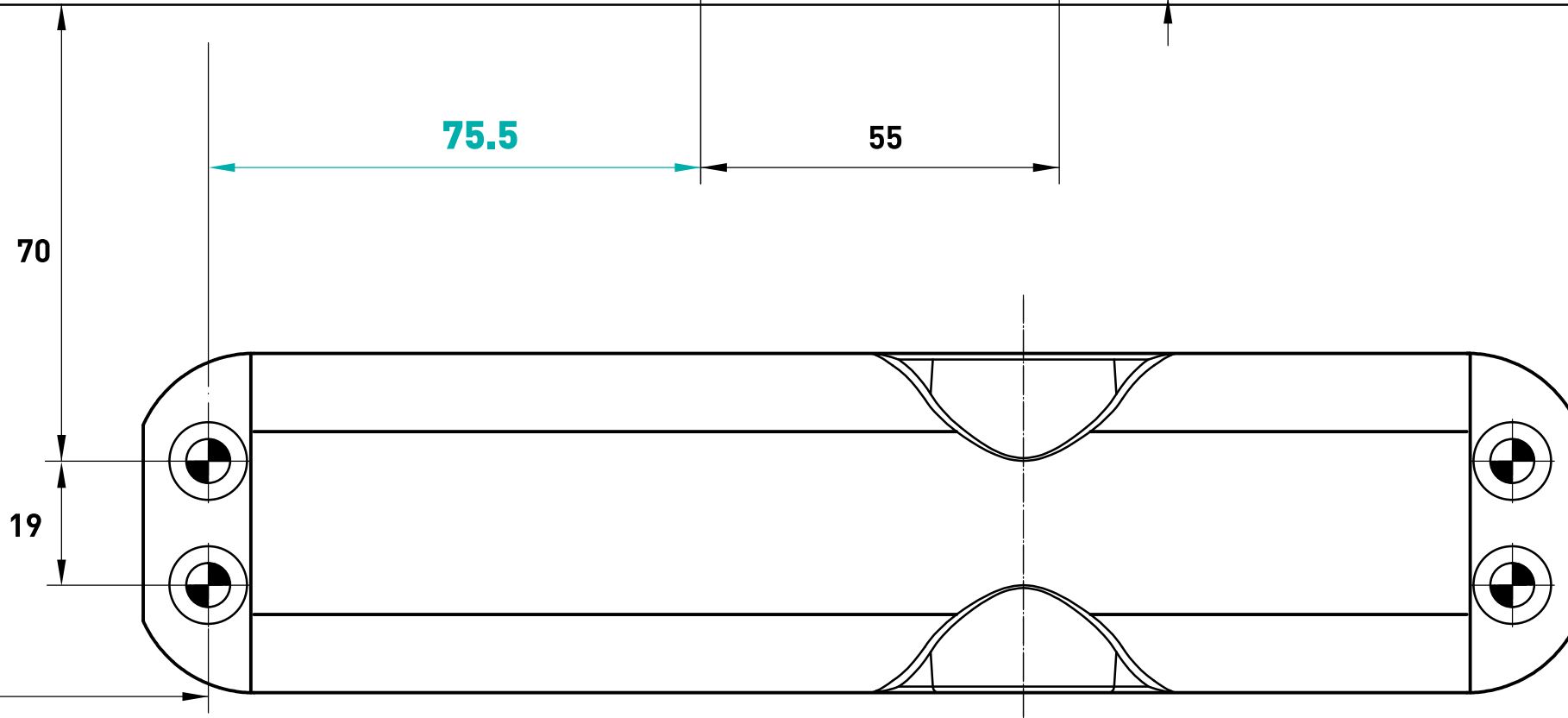


CE UK  
CA

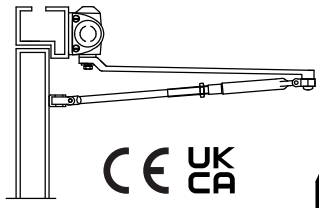


**PUSH SIDE**

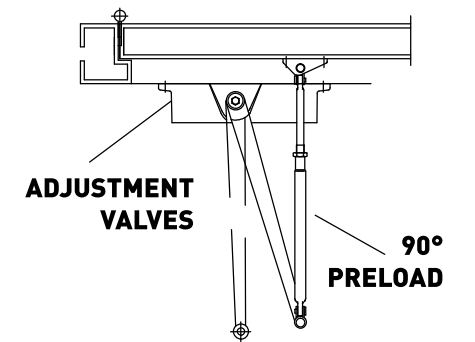
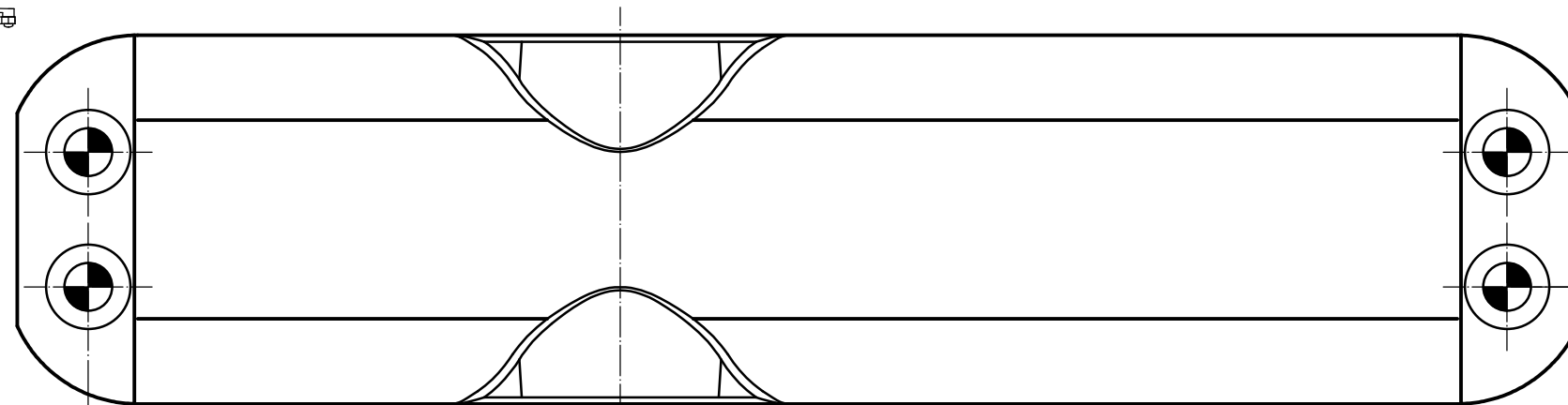
Maximum Opening  
Angle - 105°



**EN3**  
**TRANSOM**  
**FIXING FIG 61**



CE UK  
CA



**PUSH SIDE**

Maximum Opening Angle  
0mm & 50mm Head Projection - 160°

