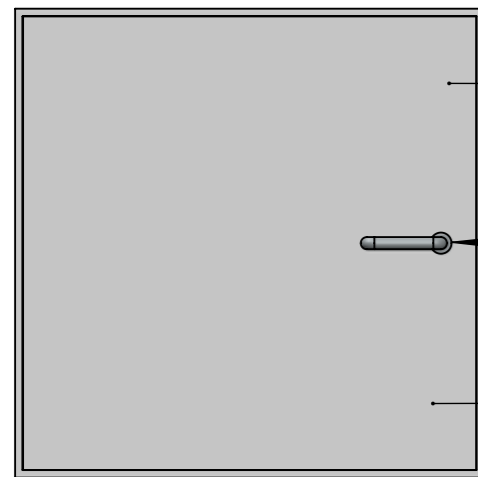


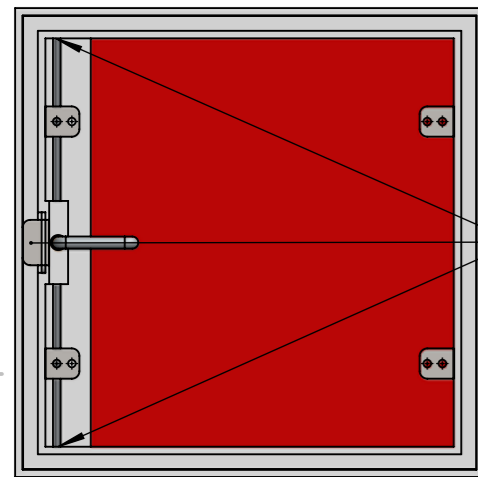
DO NOT SCALE. IF IN DOUBT ASK!



FIREFLY® ACCESS PANEL

DOOR HANDLE TO BE INSTALLED BEFORE FITTING

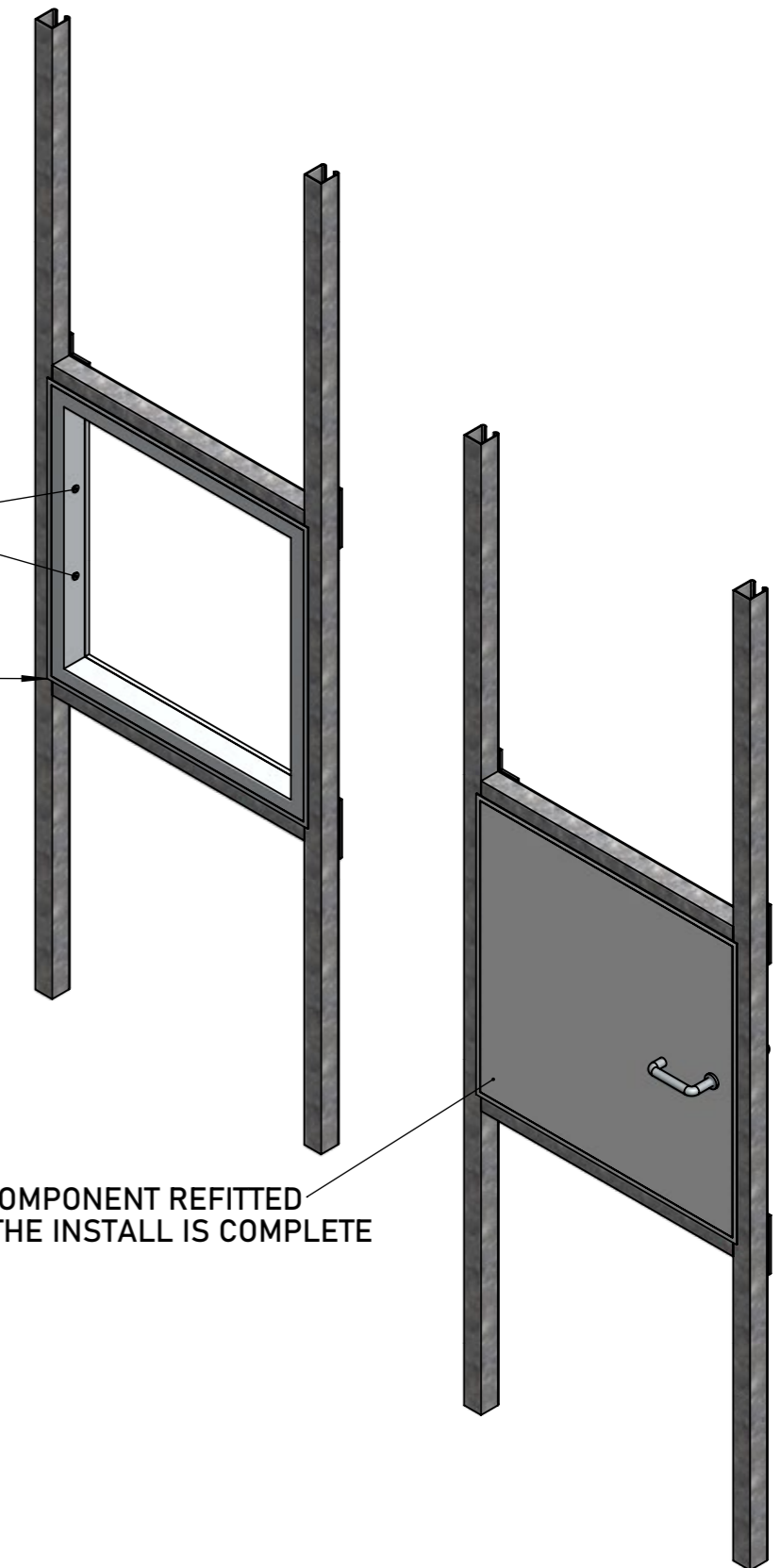
DOOR COMPONENT SHOULD BE REMOVED DURING INSTALLATION



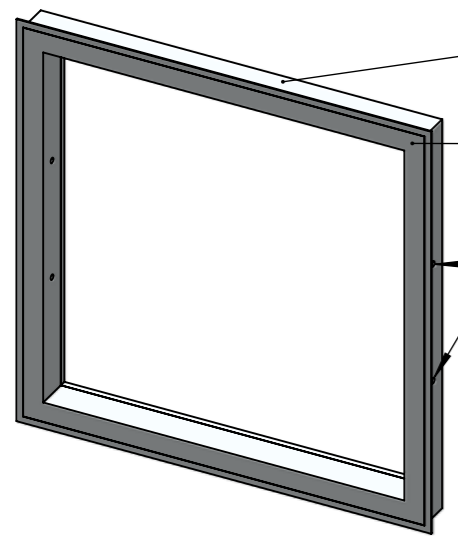
FIXED PIVOT HINGE WITH MULTIPLE LOCKING POINTS

FIREFLY® 38mm TEK SCREWS SECURING THE ACCESS PANEL FRAME TO THE UNISTRUT FRAME

THE ACCESS PANEL SHOULD BE AS FLUSH AS POSSIBLE TO THE SUPPORTING FRAMEWORK, FILL IN ANY GAPS WITH FIREFLY® HIGH TEMPERATURE ADHESIVE



DOOR COMPONENT REFITTED AFTER THE INSTALL IS COMPLETE



A BEAD OF FIREFLY® HIGH TEMPERATURE ADHESIVE IS APPLIED TO THE EDGE OF THE ACCESS PANEL BEFORE FITTING

ACCESS PANEL FRAME

PREDRILLED HOLES FOR FIXING TO FRAMEWORK

### PHOENIX - FIREFLY® ACCESS PANEL FR120

TBA PROTECTIVE TECHNOLOGIES LTD

Unit 3, Transpennine Trading Estate,  
Gorrells Way Rochdale, OL11 2PX,  
United Kingdom

T: +44 (0)1706 758 817

E: Technical@TBAFIREFLY.COM

W: WWW.TBAFIREFLY.COM

DESIGNER: JC

APPROVED: KG

DATE: 28/08/2023

SCALE: NTS

DRAWING NO:

P - 405

REVISION: 6

IN SEQUENCE: 1/1



All rights reserved. No parts of this drawing may be used reproduced, altered, stored in a retrieval system or transmitted in any form or by any means without the prior written permission of tba protective technologies ltd. Whilst every effort has been made to comply with the current statutory regulations, it is the user's responsibility to ensure that the final detailing and installation meets the requirements of relevant regulatory authority (often building control). Please check www.tbafirefly.com to ensure that you are using the correct and current version. Copyright © 2023