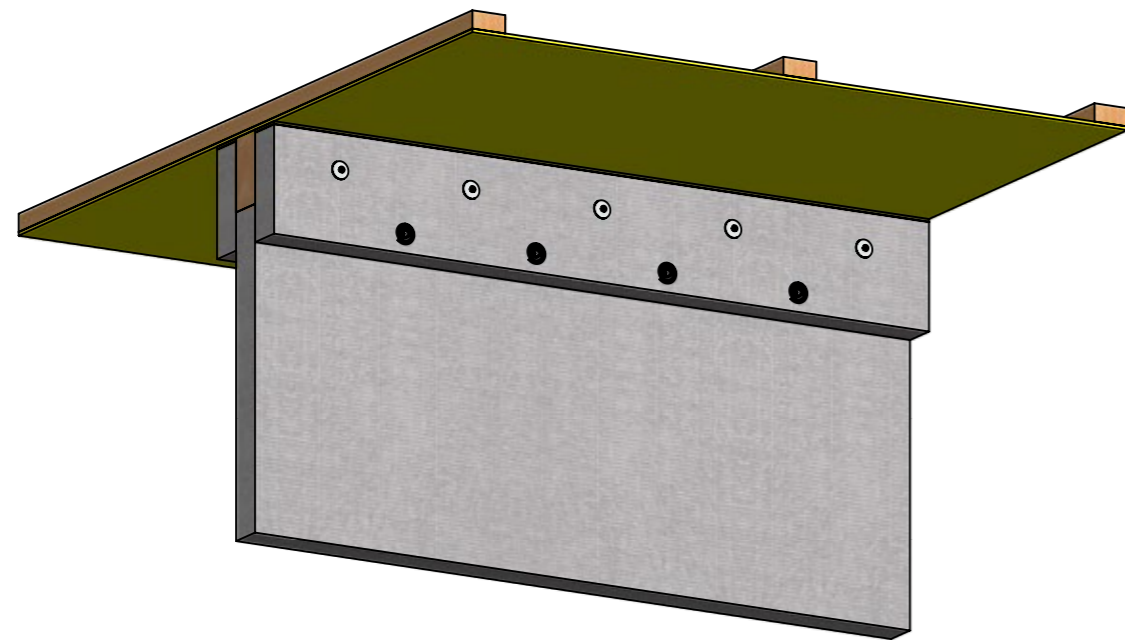
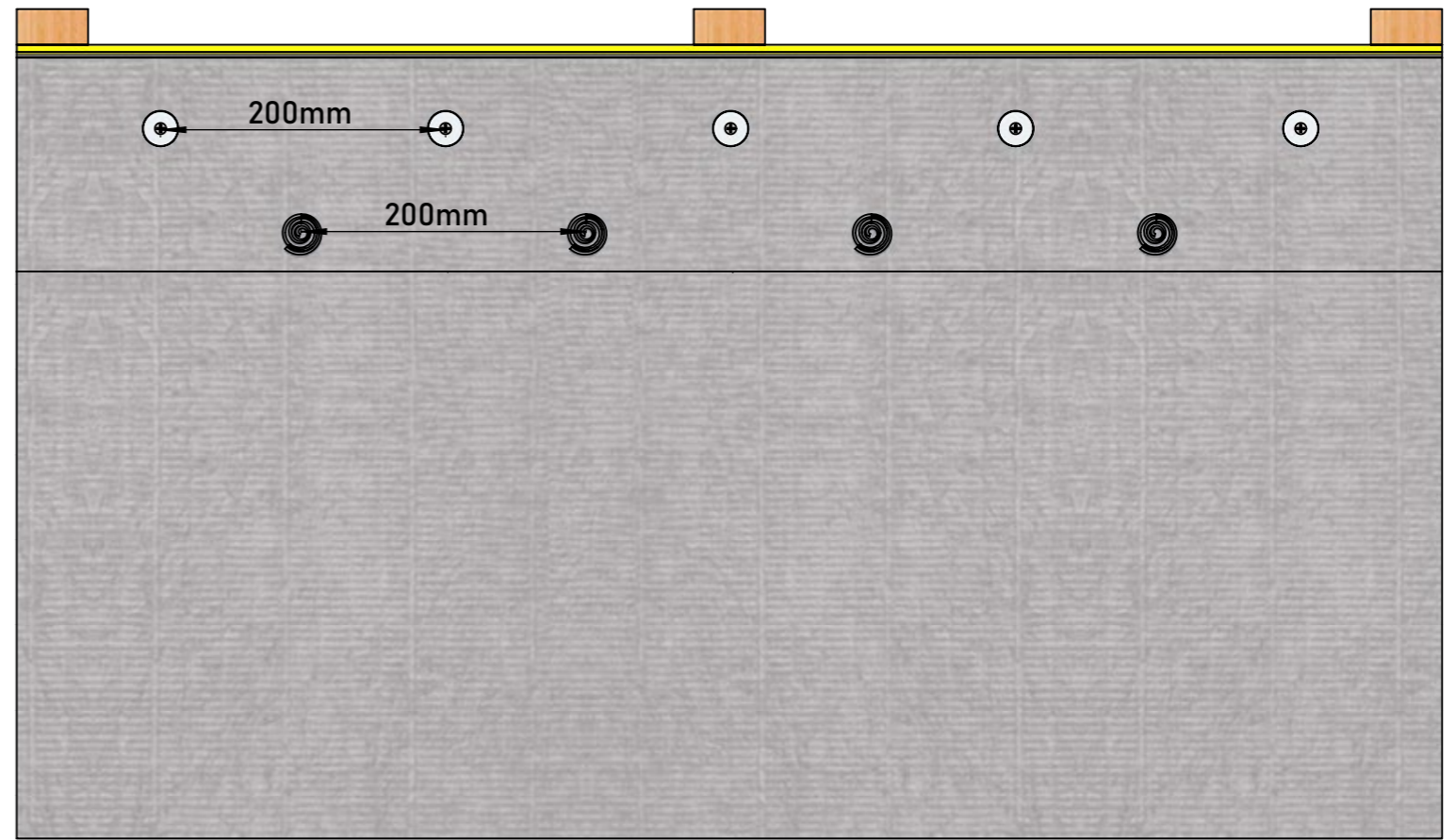
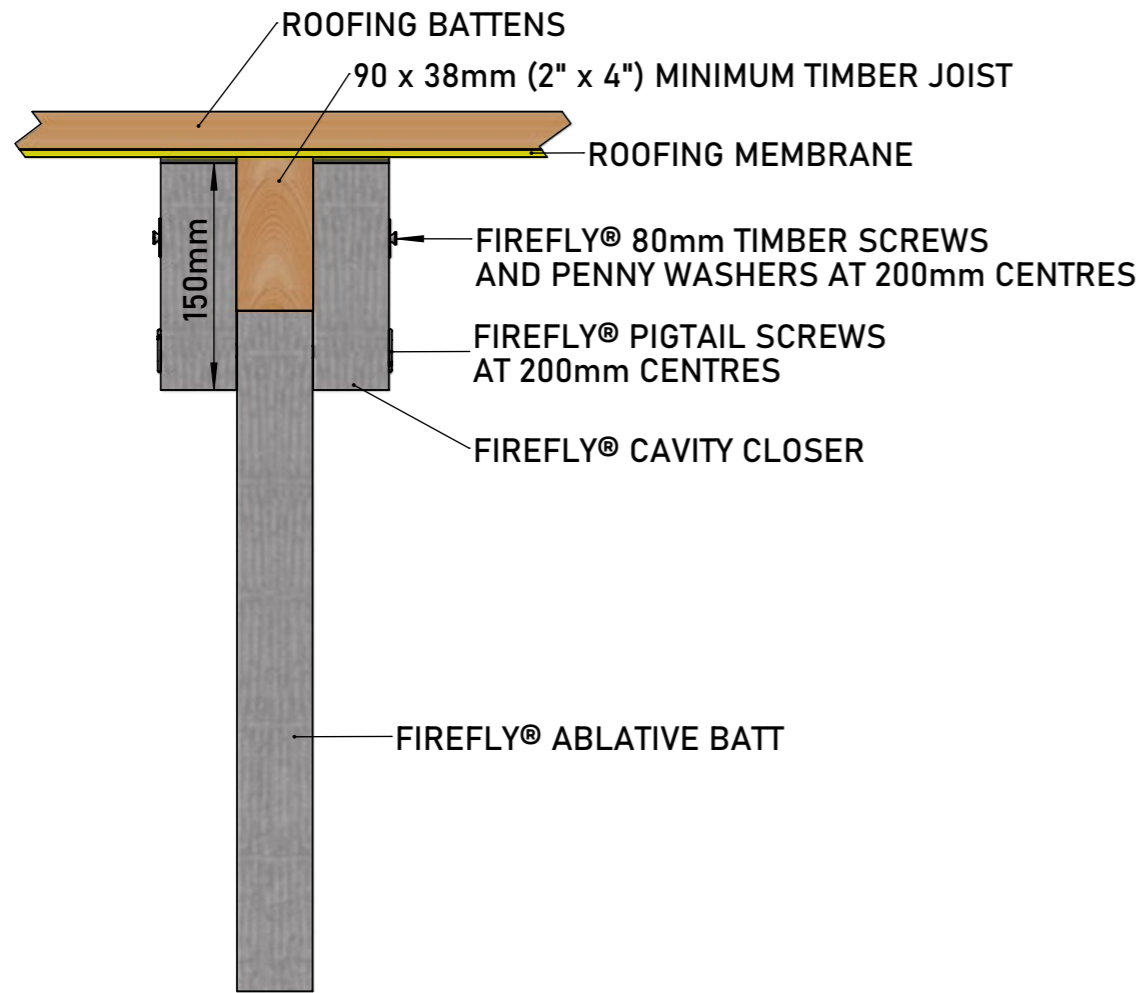


DO NOT SCALE. IF IN DOUBT ASK!

INTEGRITY: 60 MINUTES
INSULATION: 60 MINUTES

FIREFLY® CAVITY CLOSERS ARE RATED AT EI:60/60 BUT PERFORMANCE WILL BE DETERMINED BY THE OVERALL RATING OF THE SYSTEM THE CAVITY CLOSER IS FIT INTO



THIS PRODUCT WAS DESIGNED AND TESTED WITH SINGLE ROOFING BATTENS (25mm) AND IS NOT SUITABLE CLOSING LARGER GAPS OR COUNTER BATTENS

FB180 - ROOFING MEMBRANE CLOSER

TBA PROTECTIVE TECHNOLOGIES LTD Unit 3, Transpennine Trading Estate, Gorrells Way Rochdale, OL11 2PX, United Kingdom T: +44 (0)1706 758 817 E: Technical@TBAFIREFLY.COM W: WWW.TBAFIREFLY.COM	DESIGNER: JC	DRAWING NO:
	APPROVED: KG	B - 050
	DATE: 10/09/2024	REVISION: 5
	SCALE: NTS	IN SEQUENCE: 1/1

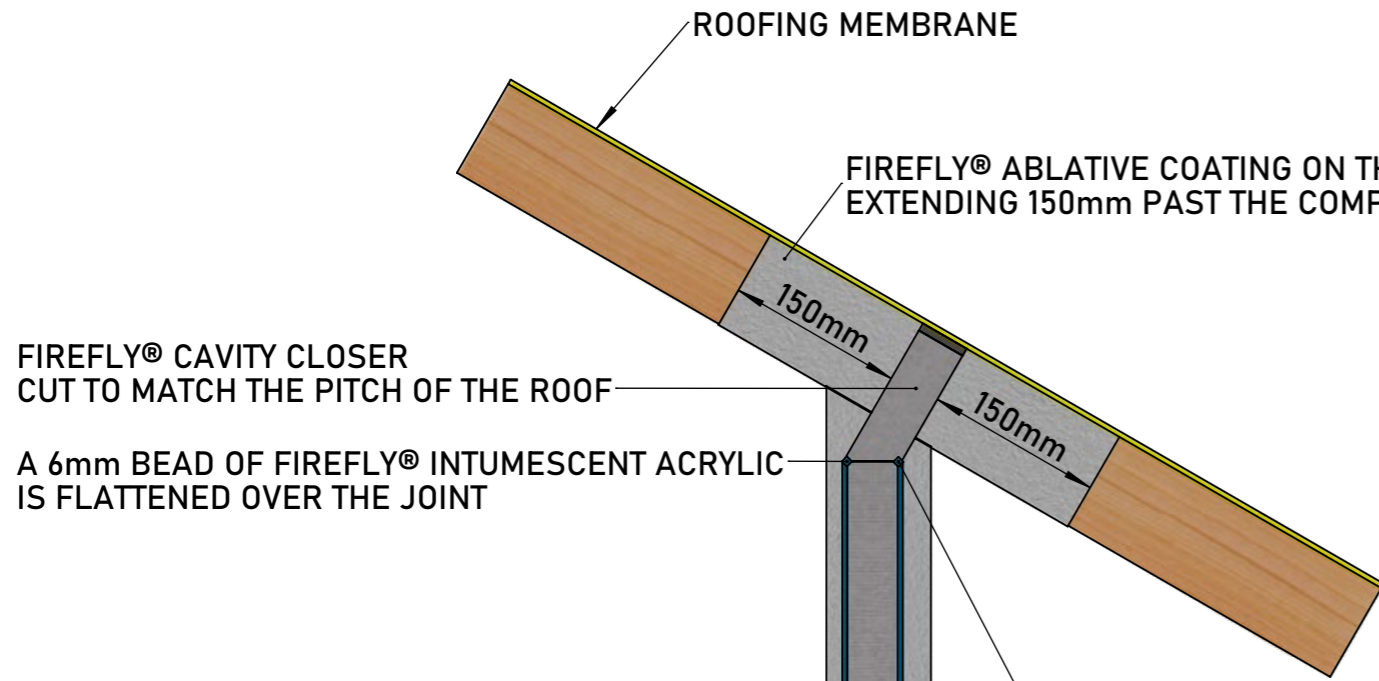


All rights reserved. No parts of this drawing may be used reproduced, altered, stored in a retrieval system or transmitted in any form or by any means without the prior written permission of tba protective technologies ltd. Whilst every effort has been made to comply with the current statutory regulations, it is the user's responsibility to ensure that the final detailing and installation meets the requirements of relevant regulatory authority (often building control). Please check www.tbafirefly.com to ensure that you are using the correct and current version. Copyright © 2023

DO NOT SCALE. IF IN DOUBT ASK!

INTEGRITY: 60 MINUTES
INSULATION: 60 MINUTES

FIREFLY® CAVITY CLOSERS ARE RATED AT EI:60/60 BUT PERFORMANCE WILL BE DETERMINED BY THE OVERALL RATING OF THE SYSTEM THE CAVITY CLOSER IS FIT INTO



FIREFLY® CAVITY CLOSER CUT TO MATCH THE PITCH OF THE ROOF

A 6mm BEAD OF FIREFLY® INTUMESCENT ACRYLIC IS FLATTENED OVER THE JOINT

ROOFING MEMBRANE

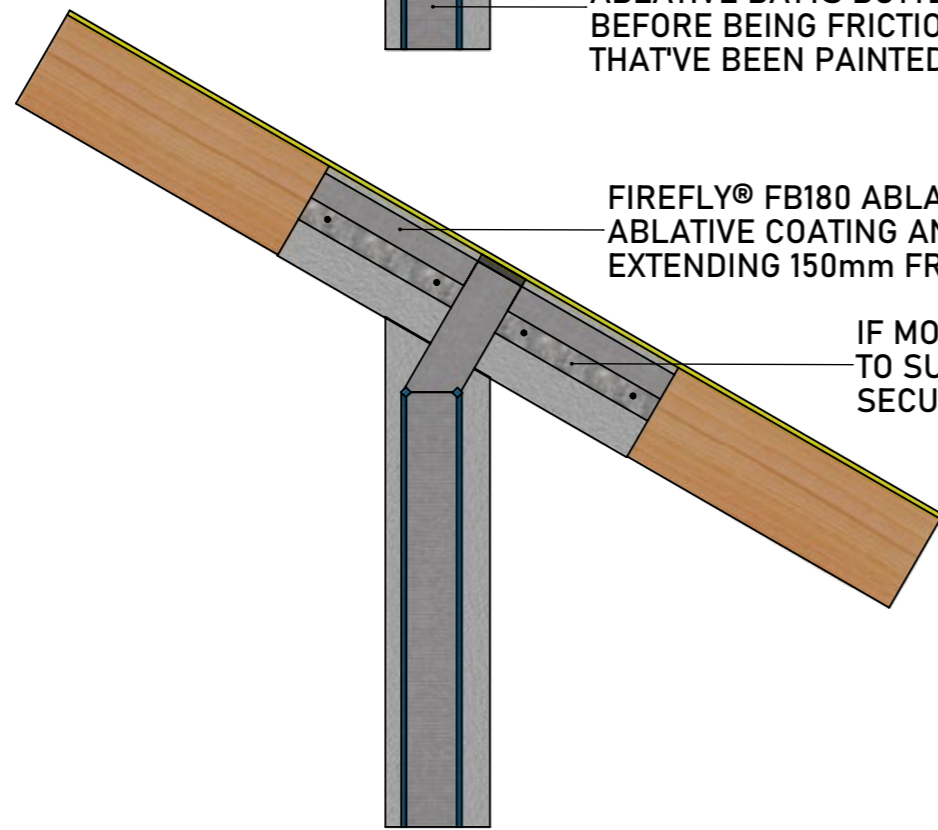
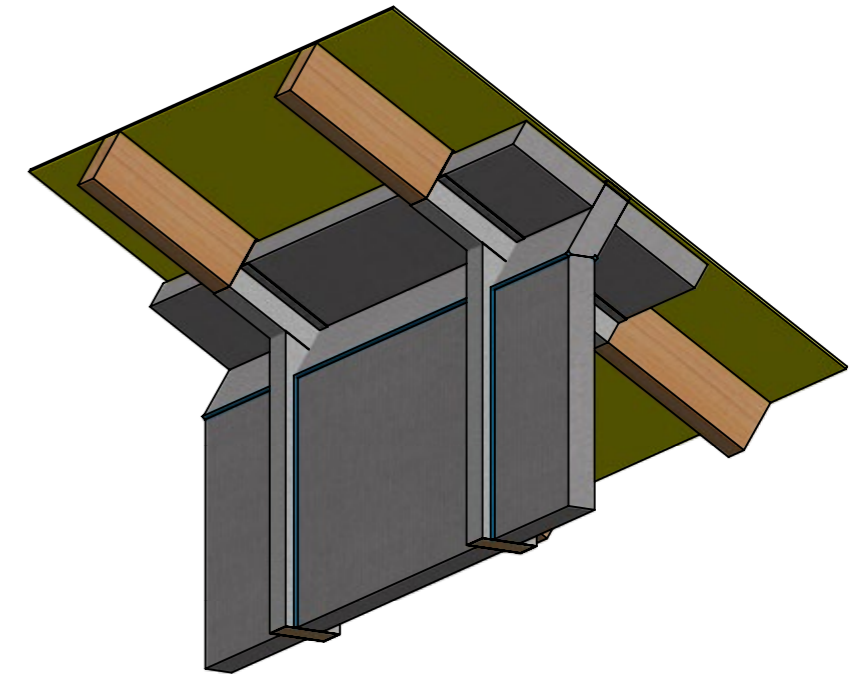
FIREFLY® ABLATIVE COATING ON THE TIMBER EXTENDING 150mm PAST THE COMPARTMENT WALL

150mm

150mm

A 6mm BEAD OF FIREFLY® INTUMESCENT ACRYLIC IS FLATTENED OVER THE JOINT WHERE ACCESS IS LIMITED THE BEAD IS APPLIED BEFORE FRICTION FITTING

FB180 ABLATIVE BATT WALL SYSTEM (B-001)
ABLATIVE BATTS BUTTERED WITH FIREFLY® ABLATIVE COATING BEFORE BEING FRICTION FIT BETWEEN 38mm x 90mm TIMBERS THAT'VE BEEN PAINTED WITH FIREFLY® ABLATIVE COATING



FIREFLY® FB180 ABLATIVE BATT BUTTERED WITH FIREFLY® ABLATIVE COATING AND FRICTION FIT BETWEEN THE TIMBERS, EXTENDING 150mm FROM THE COMPARTMENT WALL

IF MOVEMENT IN THE TIMBERS IS ANTICIPATED IT IS RECOMMENDED TO SUPPORT THE HORIZONTAL BATTS WITH A 50 x 50 x 0.7mm ANGLE SECURED INTO THE TIMBERS WITH TIMBER SCREWS

THIS PRODUCT WAS DESIGNED AND TESTED WITH SINGLE ROOFING BATTENS (25mm) AND IS NOT SUITABLE CLOSING LARGER GAPS OR COUNTER BATTENS

FB180 - PITCHED ROOFING MEMBRANE CLOSER

TBA PROTECTIVE TECHNOLOGIES LTD
Unit 3, Transpennine Trading Estate,
Gorrells Way Rochdale, OL11 2PX,
United Kingdom
T: +44 (0)1706 758 817
E: Technical@TBAFIREFLY.com
W: WWW.TBAFIREFLY.COM

DESIGNER: JC

DRAWING NO:

APPROVED: KG

B - 051P

DATE: 02/10/2024

REVISION: 5

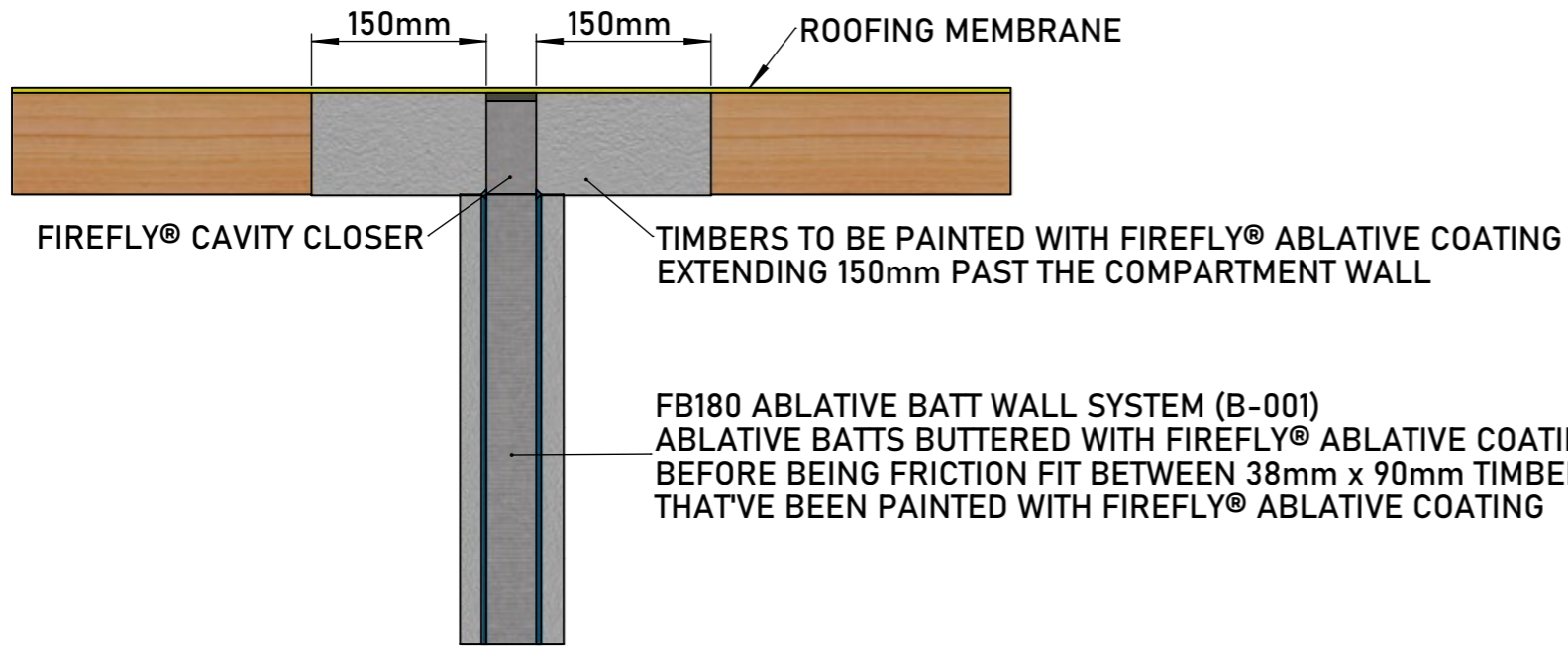
SCALE: NTS

IN SEQUENCE: 1/1

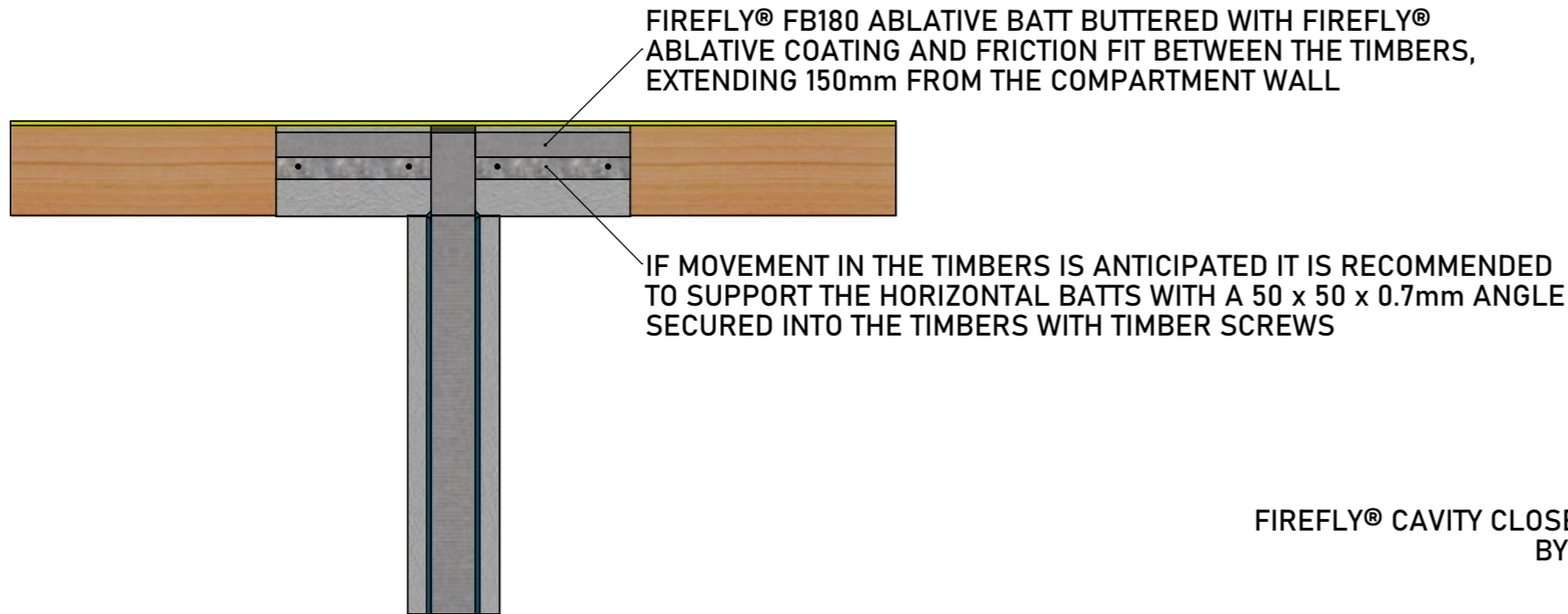
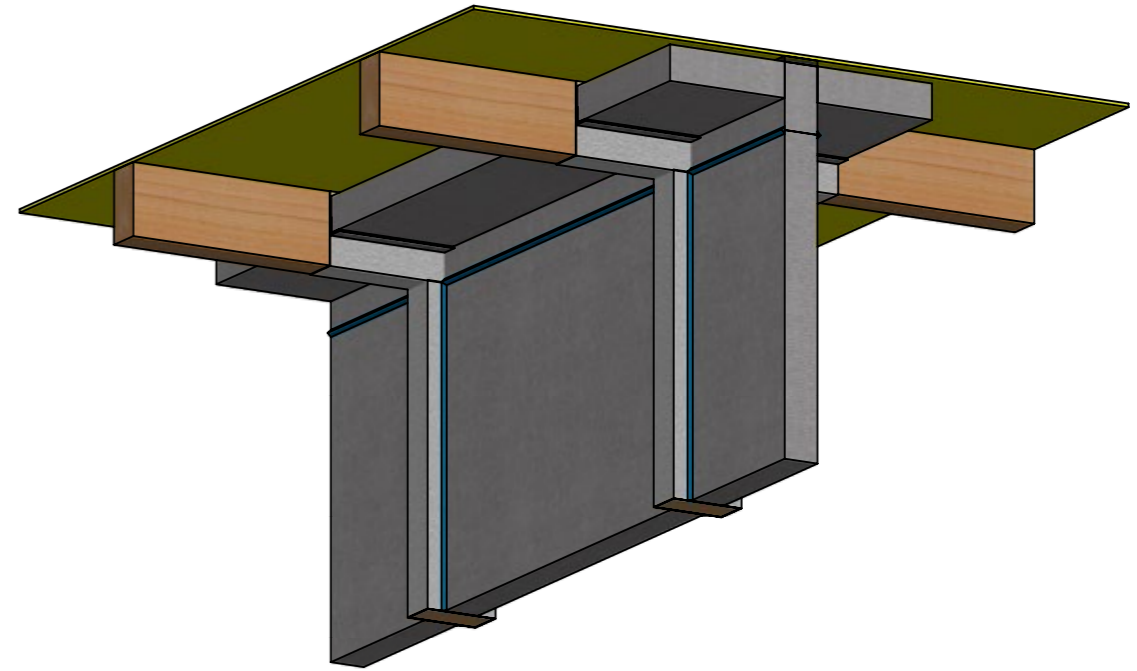
All rights reserved. No parts of this drawing may be used reproduced, altered, stored in a retrieval system or transmitted in any form or by any means without the prior written permission of tba protective technologies ltd. Whilst every effort has been made to comply with the current statutory regulations, it is the user's responsibility to ensure that the final detailing and installation meets the requirements of relevant regulatory authority (often building control). Please check www.tbafirefly.com to ensure that you are using the correct and current version. Copyright © 2023



DO NOT SCALE. IF IN DOUBT ASK!



FB180 ABLATIVE BATT WALL SYSTEM (B-001)
 ABLATIVE BATTS BUTTERED WITH FIREFLY® ABLATIVE COATING
 BEFORE BEING FRICTION FIT BETWEEN 38mm x 90mm TIMBERS
 THAT'VE BEEN PAINTED WITH FIREFLY® ABLATIVE COATING



INTEGRITY: 60 MINUTES
 INSULATION: 60 MINUTES

FIREFLY® CAVITY CLOSERS ARE RATED AT EI:60/60 BUT PERFORMANCE WILL BE DETERMINED BY THE OVERALL RATING OF THE SYSTEM THE CAVITY CLOSER IS FIT INTO

THIS PRODUCT WAS DESIGNED AND TESTED WITH SINGLE ROOFING BATTENS (25mm) AND IS NOT SUITABLE CLOSING LARGER GAPS OR COUNTER BATTENS

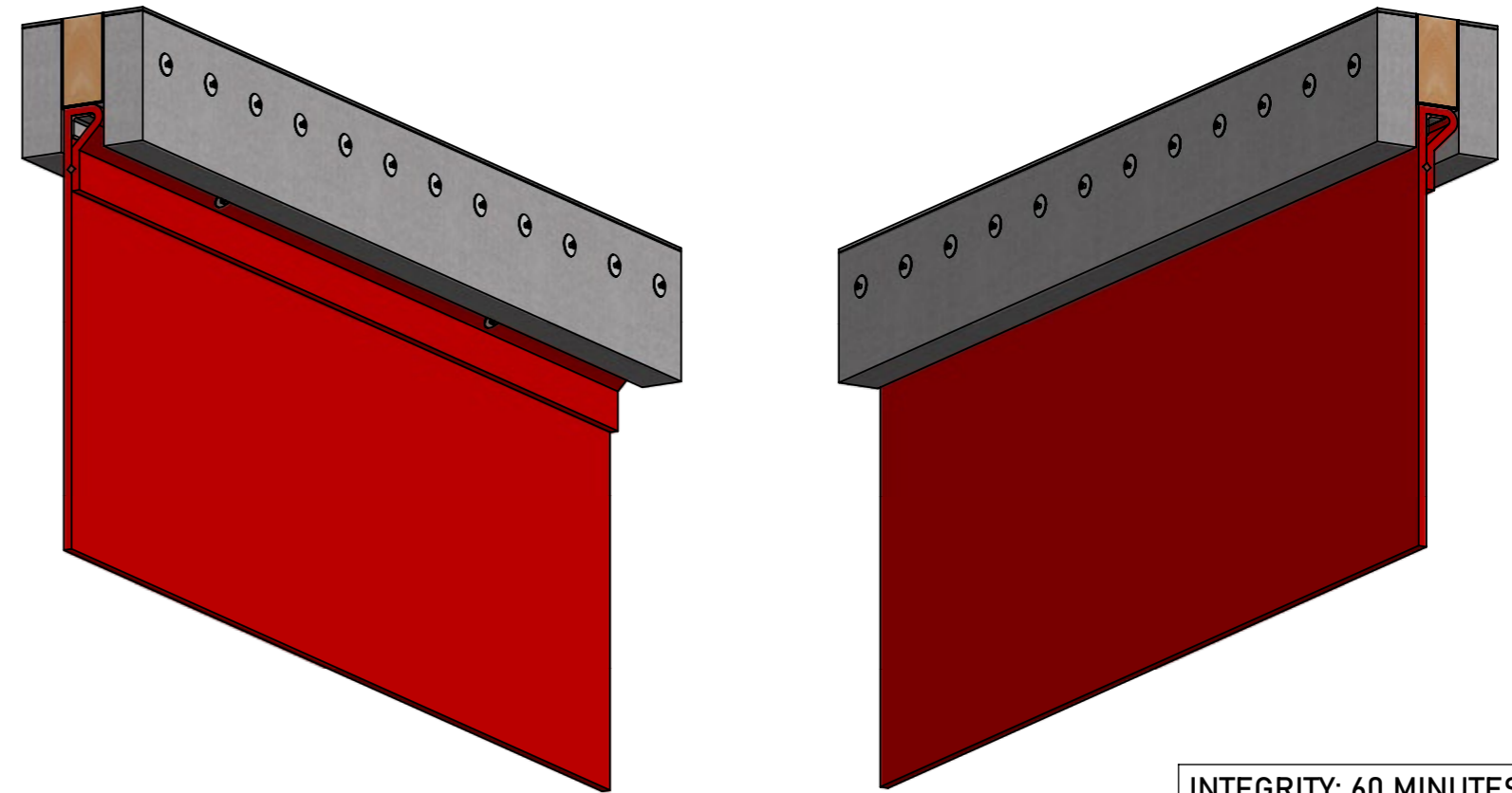
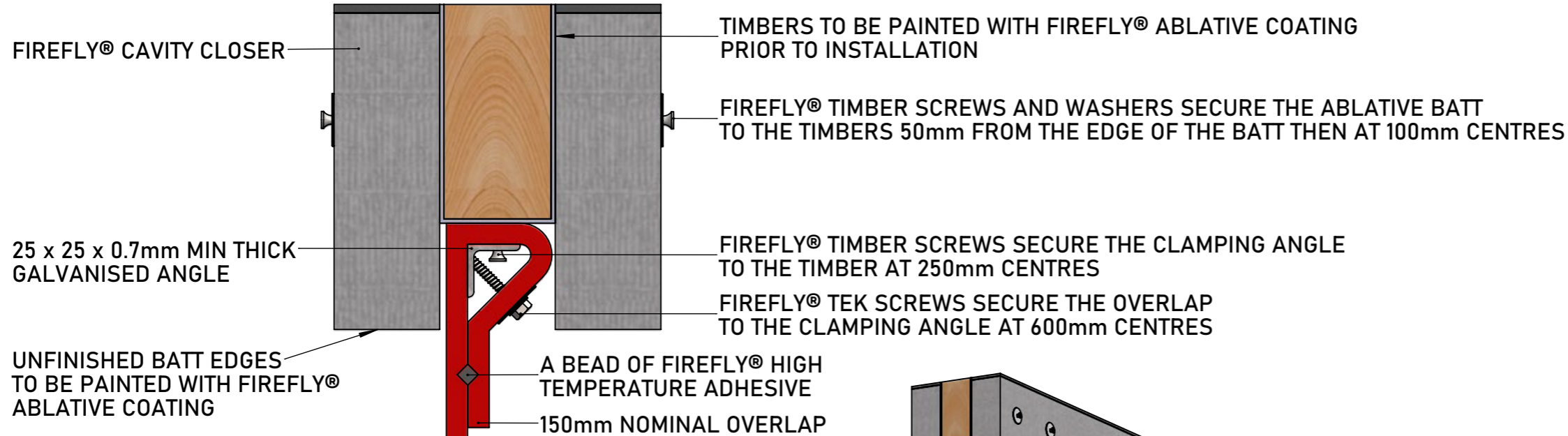


All rights reserved. No parts of this drawing may be used reproduced, altered, stored in a retrieval system or transmitted in any form or by any means without the prior written permission of tba protective technologies ltd. Whilst every effort has been made to comply with the current statutory regulations, it is the user's responsibility to ensure that the final detailing and installation meets the requirements of relevant regulatory authority (often building control). Please check www.tbafirefly.com to ensure that you are using the correct and current version. Copyright © 2024

FB180 - ROOFING MEMBRANE CLOSER

TBA PROTECTIVE TECHNOLOGIES LTD Unit 3, Transpennine Trading Estate, Gorrells Way Rochdale, OL11 2PX, United Kingdom T: +44 (0)1706 758 817 E: Technical@TBAFIREFLY.COM W: WWW.TBAFIREFLY.COM	DESIGNER: JC	DRAWING NO:
	APPROVED: KG	B - 051
	DATE: 02/10/2024	REVISION: 5
	SCALE: NTS	IN SEQUENCE: 1/1

DO NOT SCALE. IF IN DOUBT ASK!



INTEGRITY: 60 MINUTES
INSULATION: 60 MINUTES

FIREFLY® BARRIER
ANY TIMBERS WITHIN THE ASSEMBLY OR BORDERING THE BARRIER MUST BE SUITABLY PROTECTED AS PER BARRIER DETAIL (011B)

FIREFLY® CAVITY CLOSERS ARE RATED AT EI:60/60 BUT PERFORMANCE WILL BE DETERMINED BY THE OVERALL RATING OF THE SYSTEM THE CAVITY CLOSER IS FIT INTO

THIS PRODUCT WAS DESIGNED AND TESTED WITH SINGLE ROOFING BATTENS (25mm) AND IS NOT SUITABLE CLOSING LARGER GAPS OR COUNTER BATTENS

FB180 - CAVITY CLOSER - VERTICAL BARRIER

TBA PROTECTIVE TECHNOLOGIES LTD Unit 3, Transpennine Trading Estate, Gorrells Way Rochdale, OL11 2PX, United Kingdom T: +44 (0)1706 758 817 E: Technical@TBAFIREFLY.COM W: WWW.TBAFIREFLY.COM	DESIGNER: JC	DRAWING NO:
	APPROVED: KG	B - 052
	DATE: 10/09/2024	REVISION: 4
	SCALE: NTS	IN SEQUENCE: 1/1

All rights reserved. No parts of this drawing may be used reproduced, altered, stored in a retrieval system or transmitted in any form or by any means without the prior written permission of tba protective technologies ltd. Whilst every effort has been made to comply with the current statutory regulations, it is the user's responsibility to ensure that the final detailing and installation meets the requirements of relevant regulatory authority (often building control). Please check www.tbafirefly.com to ensure that you are using the correct and current version. Copyright © 2023



DO NOT SCALE. IF IN DOUBT ASK!

INTEGRITY: 60 MINUTES
INSULATION: 60 MINUTES

FIREFLY® CAVITY CLOSERS ARE RATED AT EI:60/60 BUT PERFORMANCE WILL BE DETERMINED BY THE OVERALL RATING OF THE SYSTEM THE CAVITY CLOSER IS FIT INTO

THIS PRODUCT WAS DESIGNED AND TESTED WITH SINGLE ROOFING BATTENS (25mm) AND IS NOT SUITABLE CLOSING LARGER GAPS OR COUNTER BATTENS

TIMBERS TO BE PAINTED WITH FIREFLY® ABLATIVE COATING FOR 300mm ON BOTH SIDES OF THE ASSEMBLY

50 x 50 x 0.7mm MIN THICK GALVANISED ANGLE

TOP FIX 002

FIREFLY® BARRIER INSTALLED AS PER STANDARD TOP FIX (002) IF THE GAP BRIDGES MORE THAN 600mm A THICKER (1.2mm) ANGLE MUST BE USED

FIREFLY® CAVITY CLOSER - CUT TO REQUIRED SIZE AND BUTTERED WITH FIREFLY® ABLATIVE COATING BEFORE BEING FRICTION FIT BETWEEN THE ANGLES AND TIMBER

50 x 50 x 0.7mm MIN THICK GALVANISED ANGLES ARE FIXED TO THE TIMBERS, EXTENDING 300mm FROM BOTH SIDES OFF THE ASSEMBLY
FIREFLY® FB180 ABLATIVE BATTS ARE CUT TO SHAPE, OUTER EDGES BUTTERED WITH FIREFLY® ABLATIVE COATING AND TIGHTLY FIT BETWEEN THE ANGLES AND TIMBER

FB180 - CAVITY CLOSER AND VERTICAL BARRIER BETWEEN TIMBERS

TBA PROTECTIVE TECHNOLOGIES LTD
Unit 3, Transpennine Trading Estate,
Gorrells Way Rochdale, OL11 2PX,
United Kingdom
T: +44 (0)1706 758 817
E: Technical@TBAFIREFLY.COM
W: WWW.TBAFIREFLY.COM

DESIGNER: JC

DRAWING NO:

APPROVED: KG

B - 053

DATE: 10/09/2024

REVISION: 5

SCALE: NTS

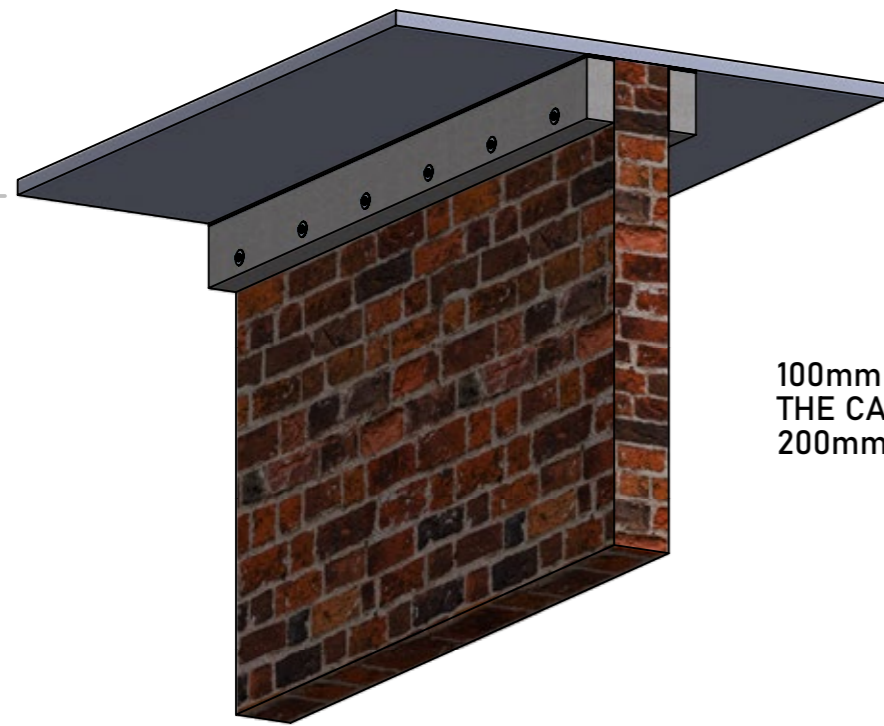
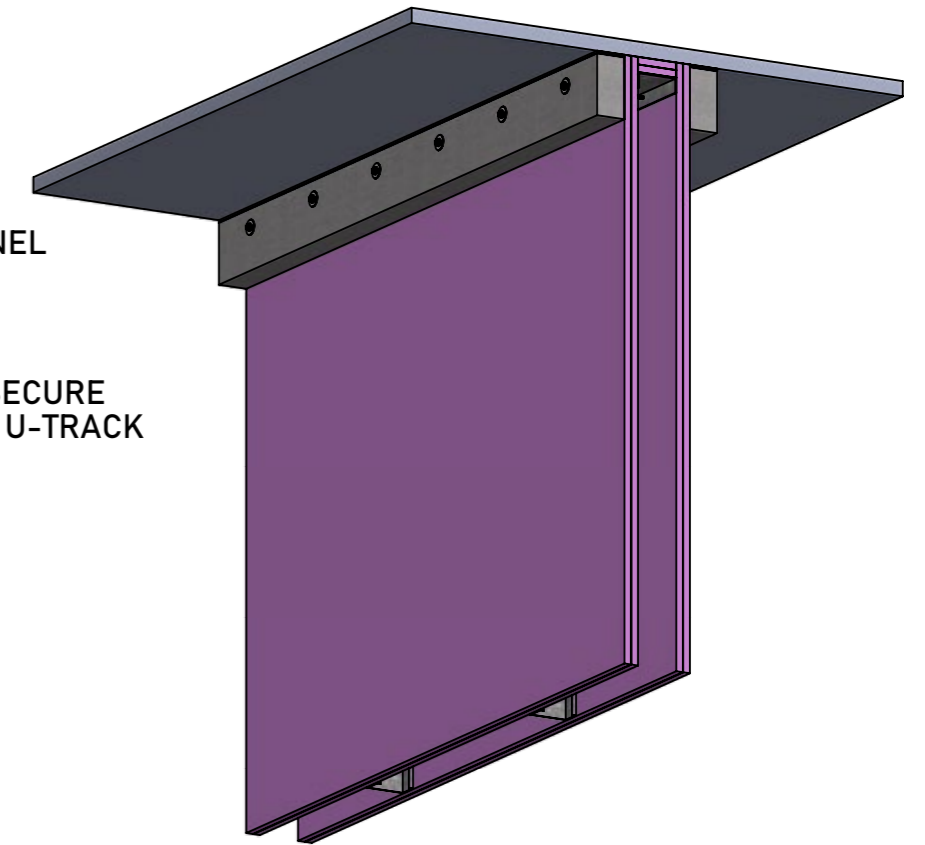
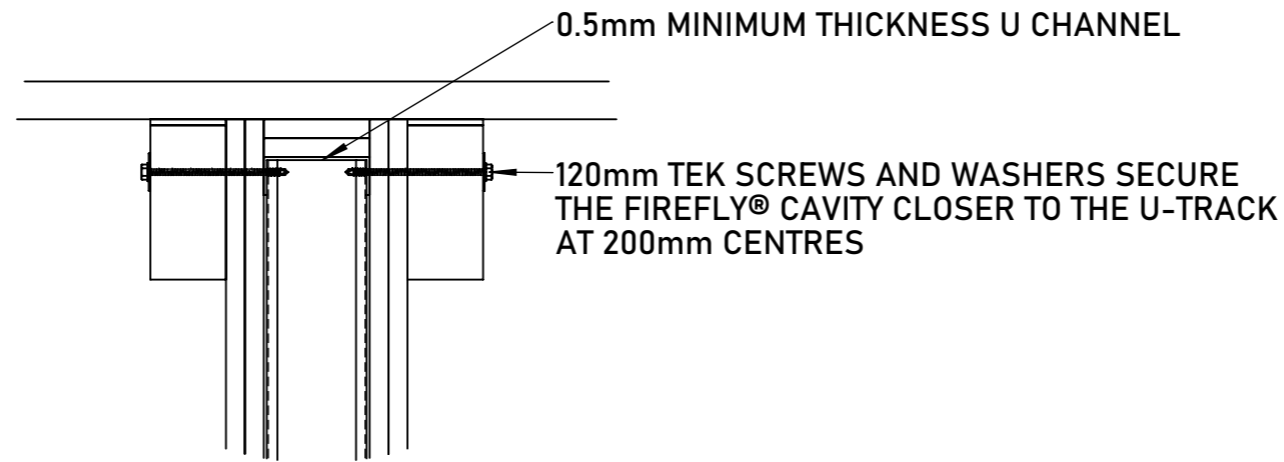
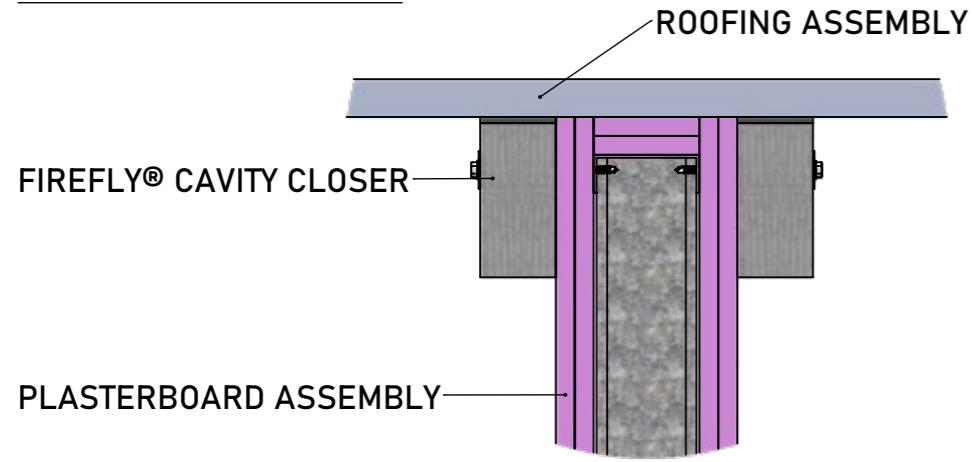
IN SEQUENCE: 1/1

All rights reserved. No parts of this drawing may be used reproduced, altered, stored in a retrieval system or transmitted in any form or by any means without the prior written permission of tba protective technologies ltd. Whilst every effort has been made to comply with the current statutory regulations, it is the user's responsibility to ensure that the final detailing and installation meets the requirements of relevant regulatory authority (often building control). Please check www.tbafirefly.com to ensure that you are using the correct and current version. Copyright © 2023

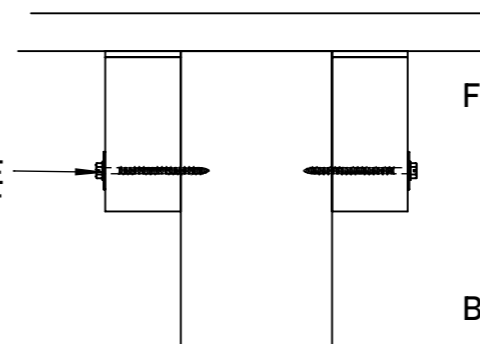


DO NOT SCALE. IF IN DOUBT ASK!

PLASTERBOARD DETAILS



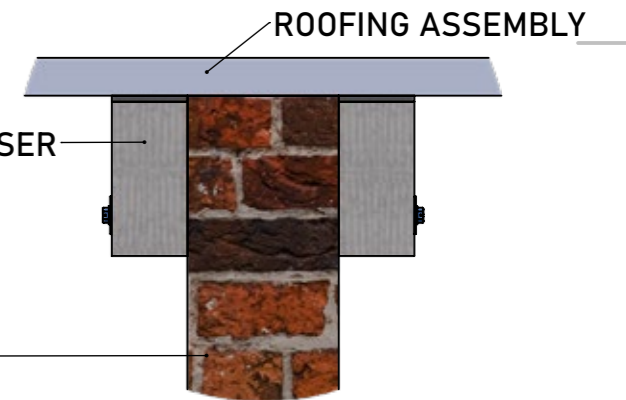
100mm CONCRETE SCREWS AND WASHERS SECURE THE CAVITY CLOSERS TO THE BLOCKWORK WALL AT 200mm CENTRES



FIREFLY® CAVITY CLOSER

BLOCKWORK WALL

BLOCKWORK DETAILS



INTEGRITY: 60 MINUTES
INSULATION: 60 MINUTES

FIREFLY® CAVITY CLOSERS ARE RATED AT EI:60/60 BUT PERFORMANCE WILL BE DETERMINED BY THE OVERALL RATING OF THE SYSTEM THE CAVITY CLOSER IS FIT INTO

THIS PRODUCT WAS DESIGNED AND TESTED WITH SINGLE ROOFING BATTENS (25mm) AND IS NOT SUITABLE CLOSING LARGER GAPS OR COUNTER BATTENS



All rights reserved. No parts of this drawing may be used reproduced, altered, stored in a retrieval system or transmitted in any form or by any means without the prior written permission of tba protective technologies ltd. Whilst every effort has been made to comply with the current statutory regulations, it is the user's responsibility to ensure that the final detailing and installation meets the requirements of relevant regulatory authority (often building control). Please check www.tbafirefly.com to ensure that you are using the correct and current version. Copyright © 2023

FB180 - CAVITY CLOSER - FLAT FIX

TBA PROTECTIVE TECHNOLOGIES LTD

Unit 3, Transpennine Trading Estate,
Gorrells Way Rochdale, OL11 2PX,
United Kingdom

T: +44 (0)1706 758 817

E: Technical@TBAFIREFLY.COM

W: WWW.TBAFIREFLY.COM

DESIGNER: JC

APPROVED: KG

DATE: 10/09/2024

SCALE: NTS

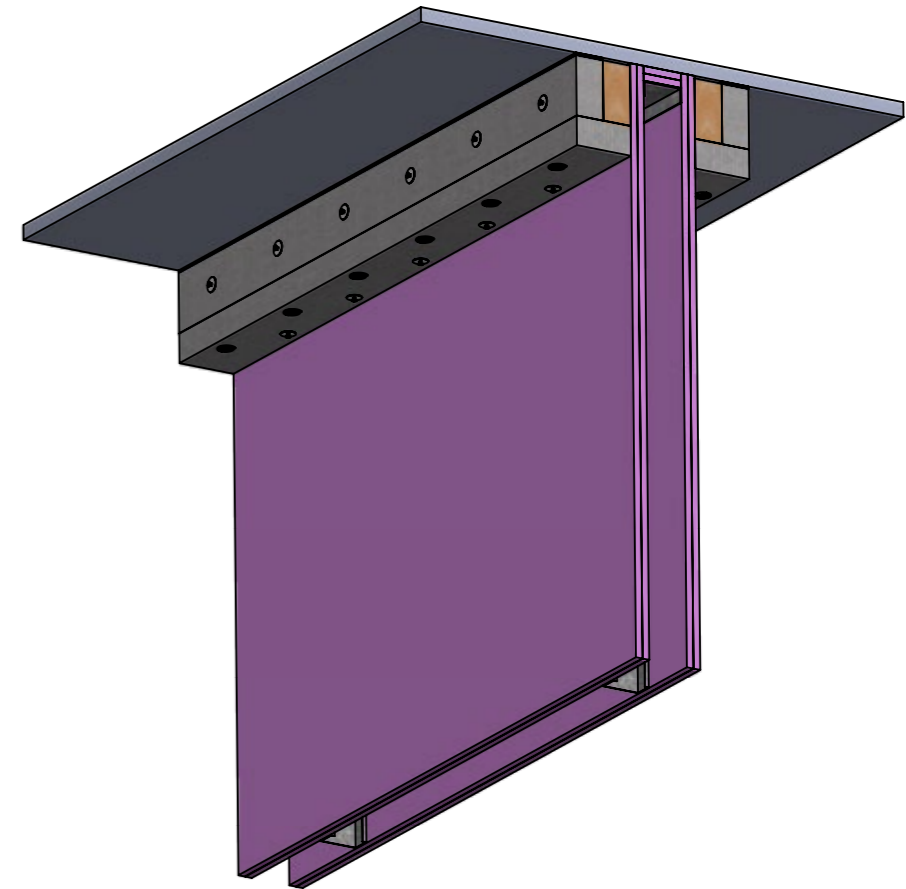
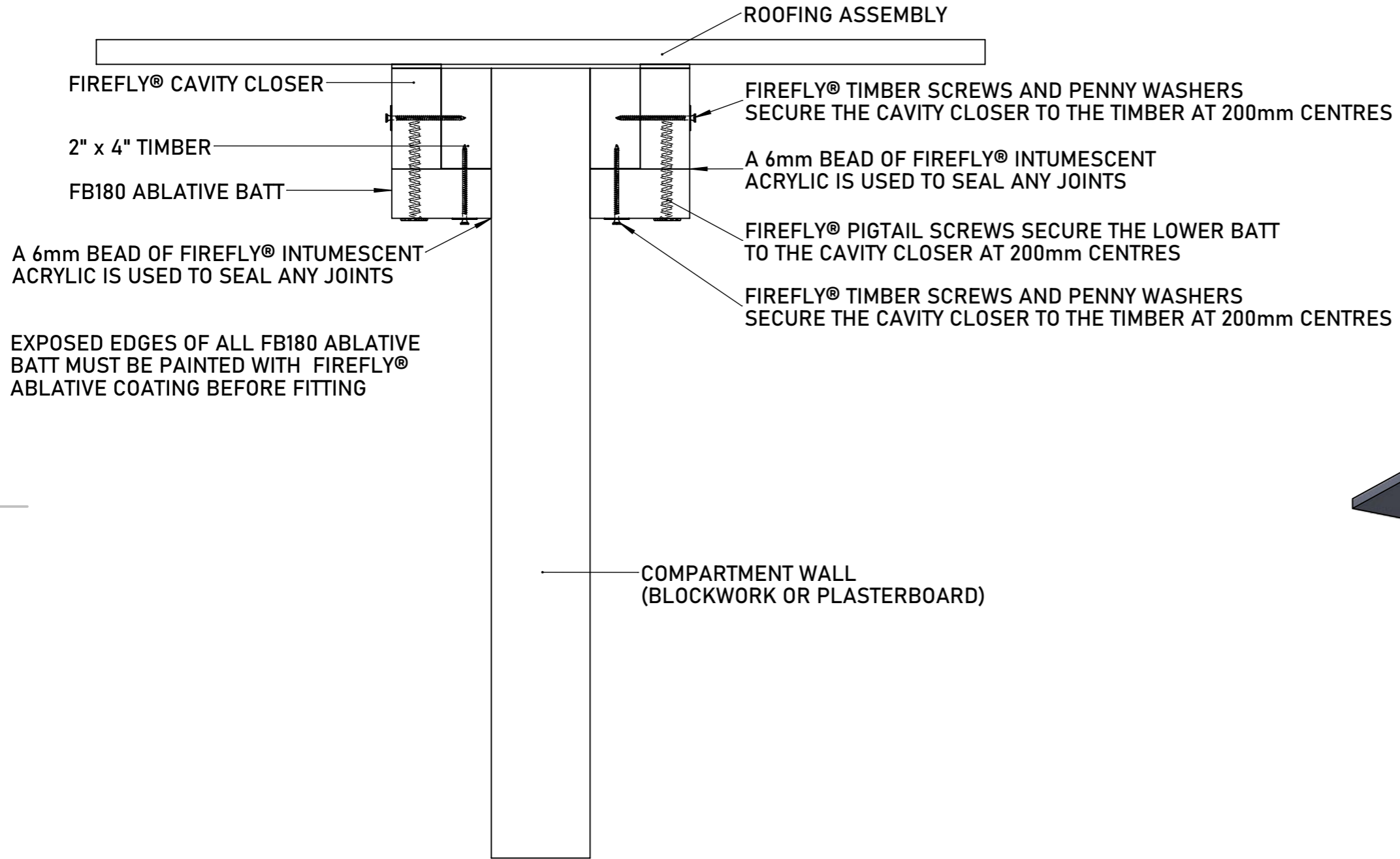
DRAWING NO:

B - 054

REVISION: 2

IN SEQUENCE: 1/1

DO NOT SCALE. IF IN DOUBT ASK!



INTEGRITY: 60 MINUTES
INSULATION: 60 MINUTES

FIREFLY® CAVITY CLOSERS ARE RATED AT EI:60/60 BUT PERFORMANCE WILL BE DETERMINED BY THE OVERALL RATING OF THE SYSTEM THE CAVITY CLOSER IS FIT INTO

THIS PRODUCT WAS DESIGNED AND TESTED WITH SINGLE ROOFING BATTENS (25mm) AND IS NOT SUITABLE CLOSING LARGER GAPS OR COUNTER BATTENS



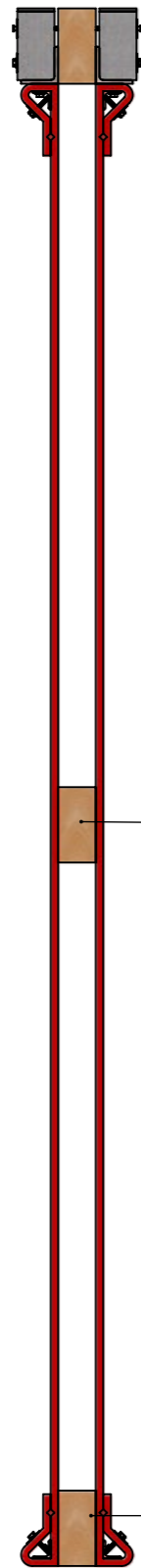
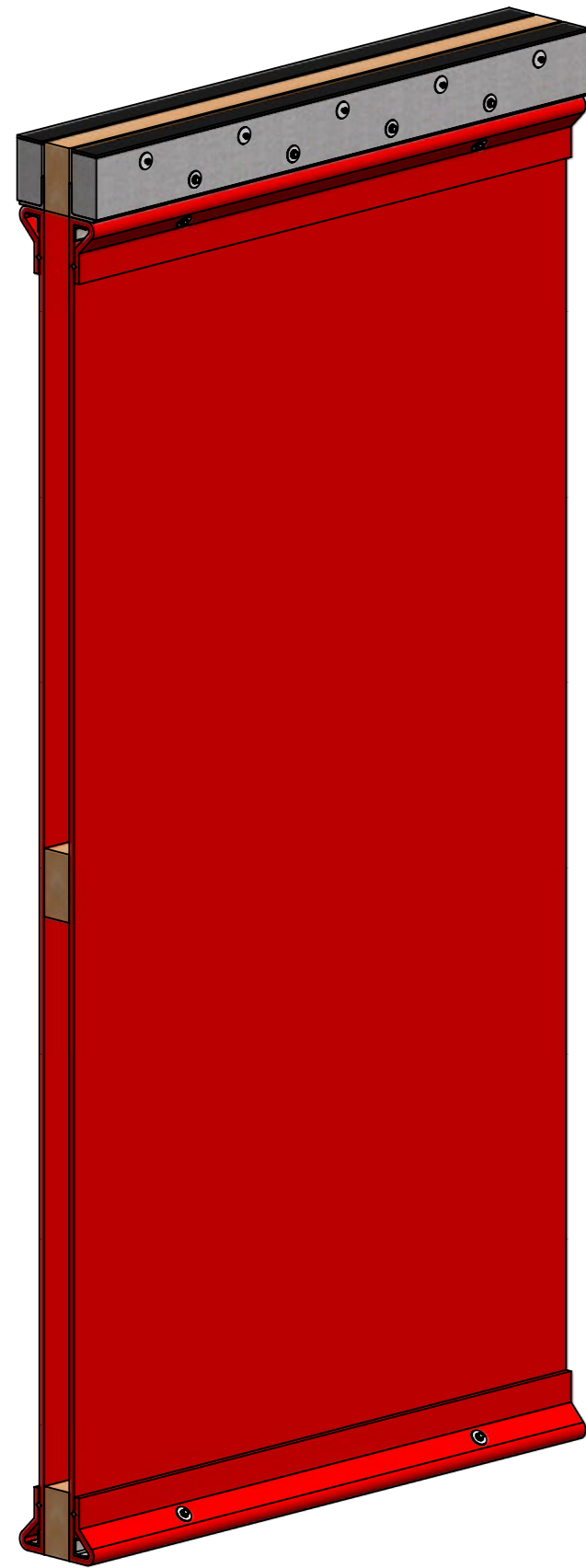
All rights reserved. No parts of this drawing may be used reproduced, altered, stored in a retrieval system or transmitted in any form or by any means without the prior written permission of tba protective technologies ltd. Whilst every effort has been made to comply with the current statutory regulations, it is the user's responsibility to ensure that the final detailing and installation meets the requirements of relevant regulatory authority (often building control). Please check www.tbafirefly.com to ensure that you are using the correct and current version. Copyright © 2023

FB180 - CAVITY CLOSER - BULKHEAD DETAIL

TBA PROTECTIVE TECHNOLOGIES LTD Unit 3, Transpennine Trading Estate, Gorrells Way Rochdale, OL11 2PX, United Kingdom T: +44 (0)1706 758 817 E: Technical@TBAFIREFLY.com W: WWW.TBAFIREFLY.COM	DESIGNER: JC	DRAWING NO:
	APPROVED: KG	B - 055
	DATE: 11/03/2024	REVISION: 2
	SCALE: NTS	IN SEQUENCE: 1/1

DO NOT SCALE. IF IN DOUBT ASK!

THIS PRODUCT WAS DESIGNED AND TESTED WITH SINGLE ROOFING BATTENS (25mm) AND IS NOT SUITABLE CLOSING LARGER GAPS OR COUNTER BATTENS



FIREFLY® CAVITY CLOSER CUT TO SIZE AND BUTTERED WITH FIREFLY® ABLATIVE COATING AND FRICTION FIT ABOVE THE ANGLE

100mm TIMBER SCREWS AND PENNY WASHERS SECURE THE CAVITY CLOSER TO THE TIMBER AT 200 CENTRES

100mm TEK SCREWS AND PENNY WASHERS SECURE THE CAVITY CLOSER TO THE TIMBER AT 200 CENTRES

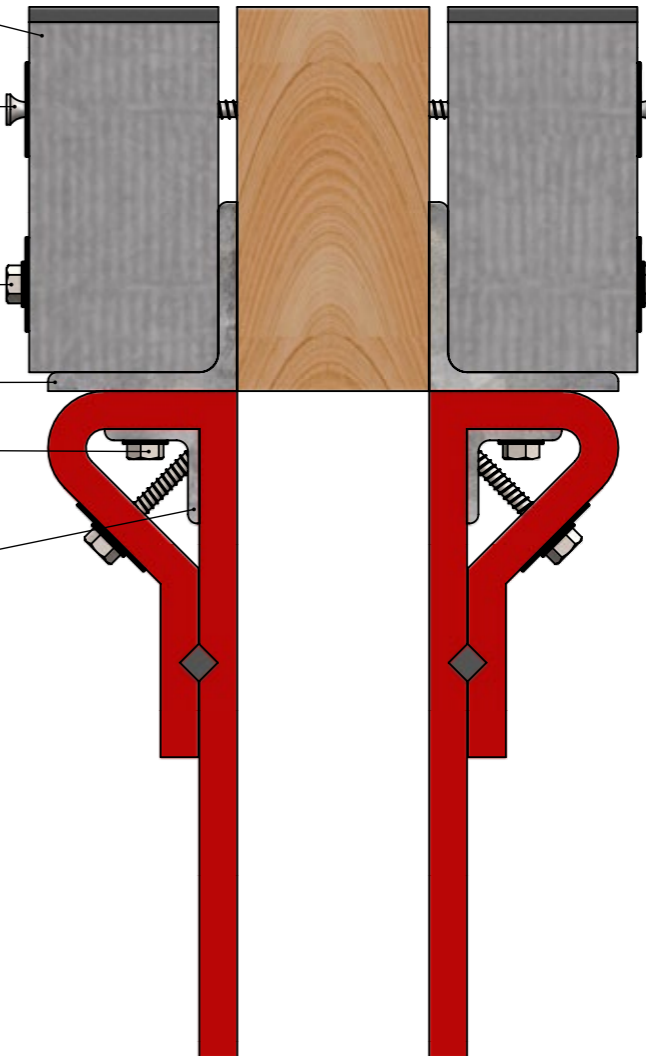
50 x 50 x 0.7mm GALV ANGLE, FIXED INTO THE TIMBER WITH FIREFLY® 38mm TEK SCREWS AT 250mm CENTRES

FIREFLY® 38mm TEK SCREWS SECURE THE CLAMPING ANGLE TO THE SUPPORTING ANGLE AT 250mm CENTRES

25 x 25 x 0.7mm GALV ANGLE, CLAMPING THE BARRIER TO THE SUPPORTING ANGLE

ALL TIMBERS WITHIN THE ASSEMBLY MUST BE SUITABLY PROTECTED AS PER BARRIER DETAIL (011)

BARRIER BOTTOM FIX (004)



THIS DETAIL IS ABOUT HOW THE CAVITY CLOSER INTERACTS WITH THE BARRIER FOR MORE INFORMATION ON THE BARRIER TOP FIX PLEASE SEE BARRIER DETAIL (002)

INTEGRITY: 60 MINUTES
INSULATION: 60 MINUTES

FIREFLY® CAVITY CLOSERS ARE RATED AT EI:60/60 BUT PERFORMANCE WILL BE DETERMINED BY THE OVERALL RATING OF THE SYSTEM THE CAVITY CLOSER IS FIT INTO

FB180 - CAVITY CLOSER - DOUBLE BARRIER DROP

TBA PROTECTIVE TECHNOLOGIES LTD

Unit 3, Transpennine Trading Estate,
Gorrells Way Rochdale, OL11 2PX,
United Kingdom

T: +44 (0)1706 758 817

E: Technical@TBAFIREFLY.COM

W: WWW.TBAFIREFLY.COM

DESIGNER: JC

APPROVED: KG

DATE: 10/09/2024

SCALE: NTS

DRAWING NO:

B - 056

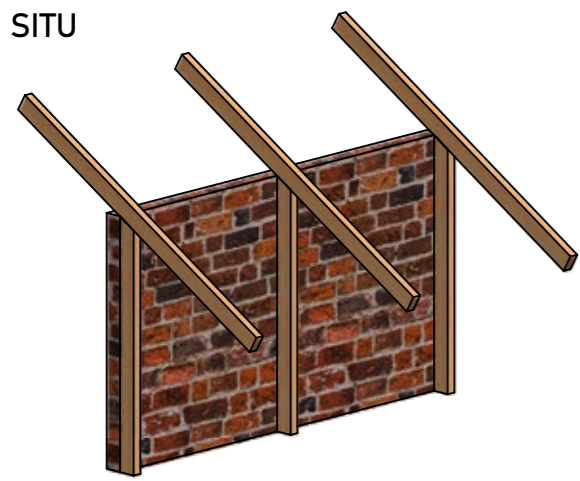
REVISION: 2

IN SEQUENCE: 1/1

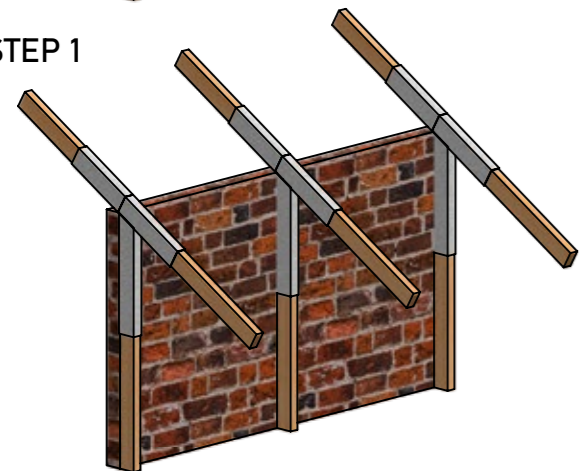
All rights reserved. No parts of this drawing may be used reproduced, altered, stored in a retrieval system or transmitted in any form or by any means without the prior written permission of tba protective technologies ltd. Whilst every effort has been made to comply with the current statutory regulations, it is the user's responsibility to ensure that the final detailing and installation meets the requirements of relevant regulatory authority (often building control). Please check www.tbafirefly.com to ensure that you are using the correct and current version. Copyright © 2023



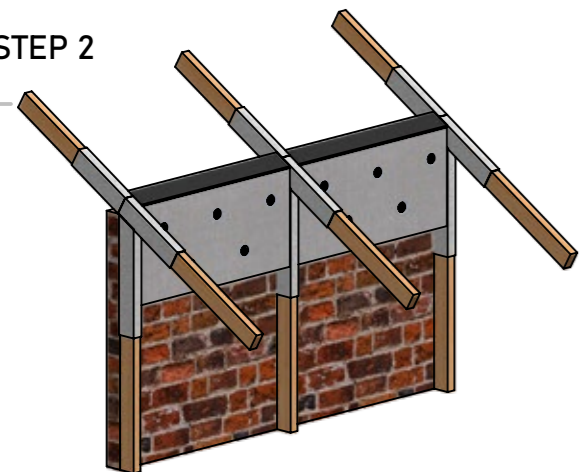
IN SITU



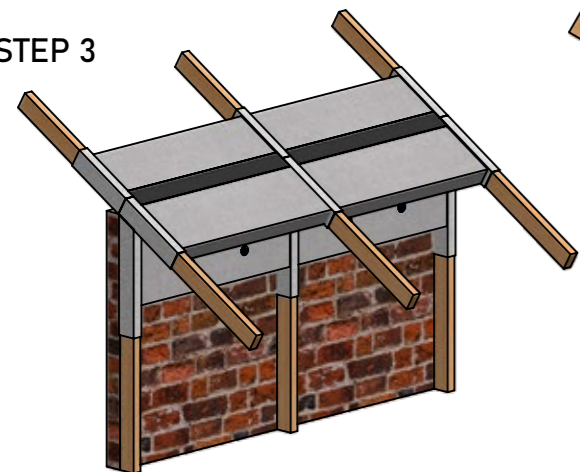
STEP 1



STEP 2



STEP 3



DO NOT SCALE. IF IN DOUBT ASK!

STEP 1

TIMBERS MUST BE PAINTED WITH FIREFLY® ABLATIVE COATING, EXTENDING 150mm FROM THE DESIRED CAVITY CLOSER LOCATION ON BOTH SIDES

STEP 2

FIREFLY® CAVITY CLOSERS ARE FIT SO THAT THE INTUMESCENT IS FLUSH TO THE ROOFING MEMBRANE

2 STAGGERED ROWS OF CONCRETE SCREWS AND WASHERS AT 200mm CENTRES SECURE THE CAVITY CLOSER TO THE WALL

THE ROWS SHOULD BE SEPARATED BY 100mm AND ALL FIXINGS SHOULD BE AT LEAST 50mm FROM THE OUTER EDGES OF THE CAVITY CLOSER

STEP 3

150mm OF FIREFLY® ABLATIVE BATT IS BUTTERED WITH FIREFLY® ABLATIVE COATING AND FRICTION FIT BETWEEN THE TIMBERS ON BOTH SIDES OF THE ASSEMBLY



All rights reserved. No parts of this drawing may be used reproduced, altered, stored in a retrieval system or transmitted in any form or by any means without the prior written permission of tba protective technologies ltd. Whilst every effort has been made to comply with the current statutory regulations, it is the user's responsibility to ensure that the final detailing and installation meets the requirements of relevant regulatory authority (often building control). Please check www.tbafirefly.com to ensure that you are using the correct and current version. Copyright © 2024

FB180 - CAVITY CLOSER - PITCHED CAVITY CLOSER

TBA PROTECTIVE TECHNOLOGIES LTD

Unit 3, Transpennine Trading Estate, Gorrells Way Rochdale, OL11 2PX, United Kingdom

T: +44 (0)1706 758 817

E: Technical@TBAFIREFLY.COM

W: WWW.TBAFIREFLY.COM

DESIGNER: JC

APPROVED: KG

DATE: 06/12/2024

SCALE: NTS

DRAWING NO:

B - 058

REVISION: 1

IN SEQUENCE: 1/1