

UL-EU CERTIFICATE

Certificate No.
UL-EU-01349-EN

Issue date
2025-09-09

Issue No.
1

Re-Issue date
-

Expiry date
2035-09-09



4705

Certificate Holder:
ROCKWOOL Limited

Address:
ROCKWOOL Limited, Wern Tarw, Pencoed, Bridgend, CF35 6NY

Product:
FirePro HES

Places of production:
ROCKWOOL Limited, Unit 2, Hams Hall, Canton Lane, B45 1GA, Birmingham

Standard:
EAD 350454-00-1104, September 2017 / EN 13501-2: 2023

Authorised Signatory:

A handwritten signature in blue ink, appearing to read 'Chris Johnson'.

Chris Johnson

Issued by UL International (UK) Ltd

This is to certify that representative samples of the Certified Product listed above have been investigated by Underwriters Laboratories to the Standard(s) indicated on this Certificate, in accordance with the UL Global Services Agreement and the UL-EU Mark Service Terms and Conditions ("Agreement"). The Certificate Holder is entitled to use the UL-EU Mark for the Certified Product listed on the certificate and manufactured at the production site(s) listed, in accordance with the terms of the Agreement. Only those products bearing the UL-EU Mark for Europe should be considered as being covered by UL's UL-EU Mark Service. This Certificate shall remain valid through the Expiration date, unless a Standard identified on this Certificate is amended or withdrawn prior to that date or there is a non-compliance with the Agreement.



Appendix UL-EU CERTIFICATE UL-EU-01349-EN

This certificate relates to the use of FirePro HES for fire stopping of service penetrations through floors and walls. The defined scope is provided in pages 7 to 34 of this certificate. This shows the thickness and acceptable dimensions, substrates and orientations required to provide fire resistance periods of up to 240 minutes for differing services and wall/floor constructions.

The product is certified on the basis of:

- i) Inspection and surveillance of factory production control by UL
- ii) Fire resistance test data in accordance with EN 1366-3: 2021 & EN 1366-3: 2021 + A1:2024
- iii) Classification in accordance with EN 13501-2:2023
- iv) Durability and Serviceability as defined in EAD 350454-00-1104

VOC test report – VOC content referenced – Eurofins 392-2025-00295002_XG_EN and VOC Emission Test Report Indoor Air Comfort GOLD – Eurofins 392-2025-00295001_A_EN are also available.

The durability class of FirePro HES is Type Y₁: Intended for use at temperatures below 0 °C with exposure to UV but no exposure to rain.

According to EN 1366-3: 2021+A1: 2024, Clause H.4.1.8.6.2, the following end uses are envisaged* based upon the tested pipe end configuration:

Pipe material	Tested pipe end	Envisaged use scenario
Metal	C/U or C/C	Closed pipe systems (e.g. systems under pressure)
	U/U, U/C or C/U	Ventilated pipe systems (e.g. sewage pipes) and for closed pipe systems
Plastic	U/U or C/U	Ventilated pipe systems and for closed pipe systems
	U/U	Ventilated pipe systems, for rainwater systems and for closed pipe systems

* In the case where a national prescription is in conflict with the content of the table above, the national prescriptions prevail.



Appendix UL-EU CERTIFICATE UL-EU-01349-EN

Product-Type: Sealant	Intended Use: Penetration Seal	
Assessment Method	Essential Characteristics	Product Performance
BWR 2 Safety in case of fire		
EN 13501-1	Reaction to fire	No performance determined
EN 13501-2: 2023	Resistance to fire	See pages 7 to 34
BWR 3 Hygiene, health and environment		
Declaration of Manufacturer & EN 16516	Content, emission and/or release of dangerous substances	Use categories: IA1 Declaration of manufacturer
EN 1026:2016	Air Permeability (Material Property)	No performance determined
EN 1027:2016	Water Permeability (Material Property)	No performance determined
BWR 4 Safety in use		
EAD 350141-00-1104, Clause 2.2.6	Mechanical resistance and stability	No performance determined
EAD 350141-00-1104, Clause 2.2.7	Resistance to impact/movement	No performance determined
EAD 350141-00-1104, Clause 2.2.8	Adhesion	No performance determined
EAD 350141-00-1104, Clause 2.2.9	Durability	Type Y ₁
BWR 5 Protection against noise		
EN ISO 10140-2:2021	Airborne sound insulation	R _w (C;Ctr)= 62 (-3;-8) (Minimum) Please see pages 5 & 6
BWR 6 Energy economy and heat retention		
EN 12664, EN 12667, EN 12939, EN ISO 8990, EN ISO 6946, EN ISO 10456	Thermal properties	No performance determined
EN ISO 12572, EN 12086, EN ISO 10456	Water vapour permeability	No performance determined



Appendix UL-EU CERTIFICATE UL-EU-01349-EN

FirePro HES: Analytical VOC Results				
Solid content, % mass	Water content, % mass	Exempt compounds, % mass	VOC content (less water), g/l	VOC limit g/l
77.7	18.5	0*	71	250**

Report Number: 392-2025-00295002_XG_EN

* No information about exempt compounds. Assumed to be zero.

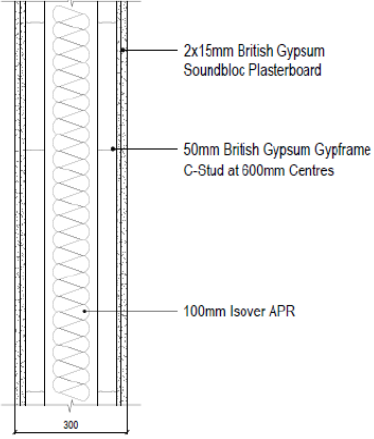
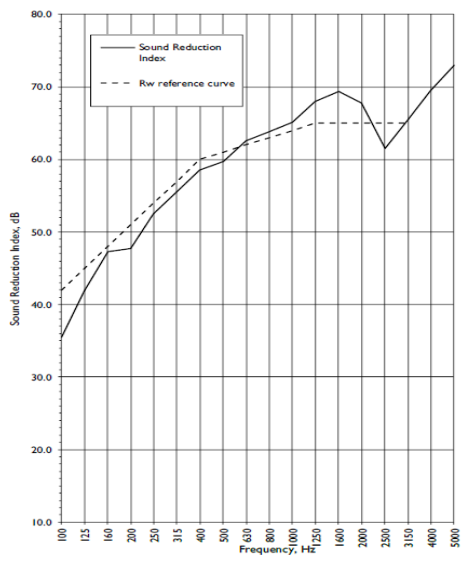
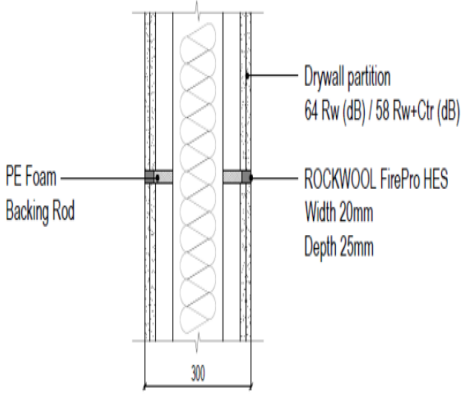
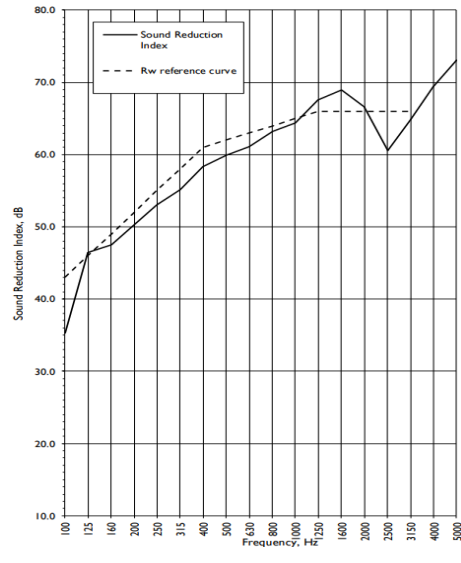
** VOC limit for "all other architectural sealants" - SCAQMD Rule 1168.



Solutions

Form-ULID-006104 V9.0

Appendix UL-EU CERTIFICATE UL-EU-01349-EN

FirePro HES: Acoustic performance according to BS EN ISO 10140-2:2010		
Configuration	Rw(C; Ctr) Partition & Specimen, 10.95m ²	Test results
 <p>2x15mm British Gypsum Soundbloc Plasterboard</p> <p>50mm British Gypsum Gyframe C-Stud at 600mm Centres</p> <p>100mm Isover APR</p> <p>300</p> <p>Base Wall British Gypsum A216012(A) (EN) 64 Rw (dB) / 58 Rw+Ctr (dB)</p>		61 (-2;-8)
 <p>Drywall partition 64 Rw (dB) / 58 Rw+Ctr (dB)</p> <p>PE Foam Backing Rod</p> <p>ROCKWOOL FirePro HES Width 20mm Depth 25mm</p> <p>300</p> <p>ROCKWOOL HES 20x25mm Linear gap</p>		62 (-3;-8)

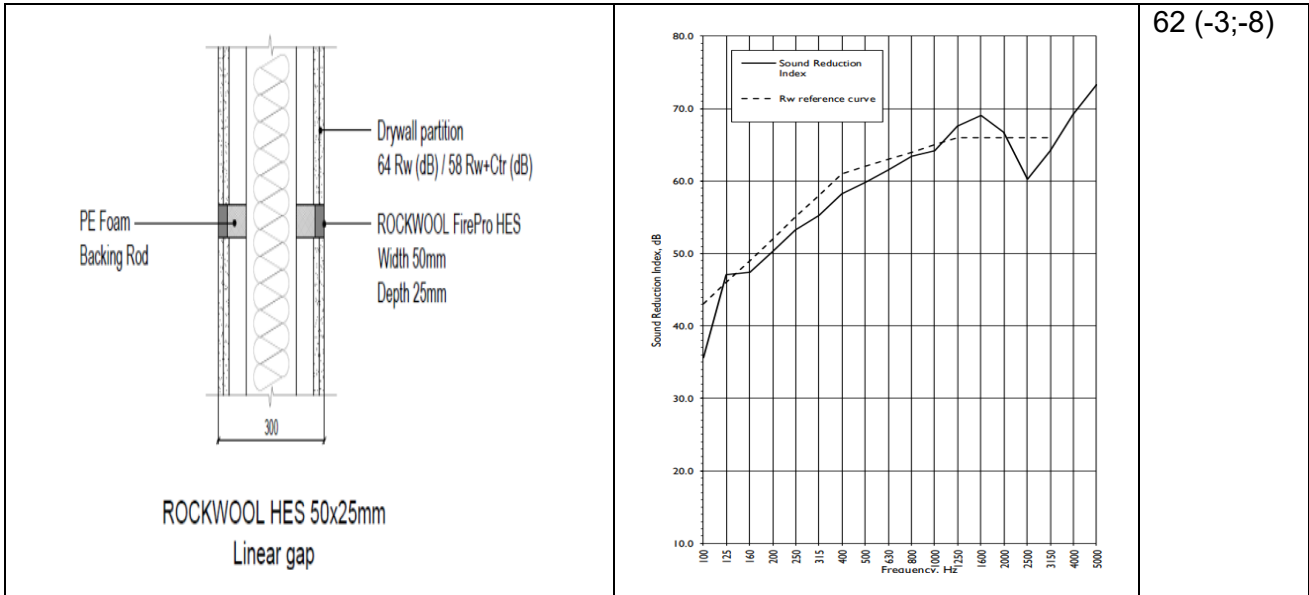


Solutions

Form-ULID-006104 V9.0

Appendix UL-EU CERTIFICATE UL-EU-01349-EN

62 (-3;-8)



Solutions

Form-ULID-006104 V9.0

Appendix UL-EU CERTIFICATE UL-EU-01349-EN

FirePro® HES seals within min. single skin 75 mm Flexible wall

Cables

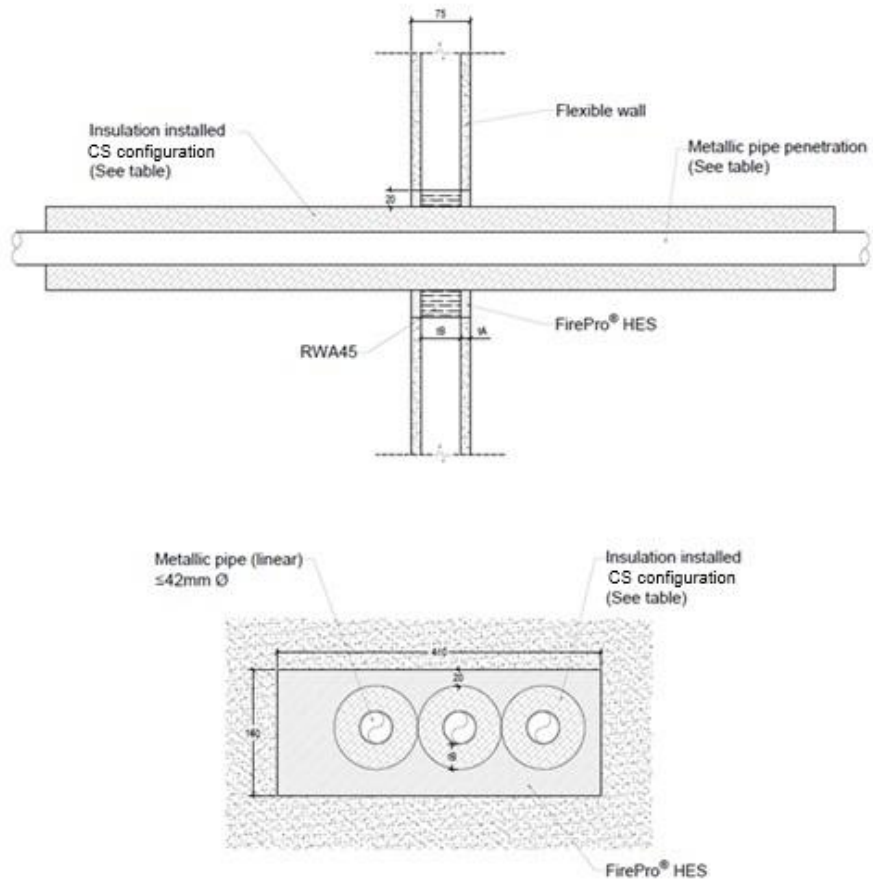
tA – 12.5 mm tB – 50 mm Max. seal size – 150 x 150mm						
Service Type	Service Size (mm)	HES depth tA (mm)	Min annulus (mm)	Backing material (tB)	Classification	
Blank	N/A	12.5	N/A	50 mm RWA45	EI 60	
Sheathed Cables	S		≤21		20	EI 60
	M		≤50			EI 60
	L		≤80			E 60 / EI 45
Cable bundles	≤Ø100 cable bundle ≤Ø21		EI 60			
Unsheathed cables	≤24	E 60 / EI 30				



Appendix UL-EU CERTIFICATE UL-EU-01349-EN

Metallic Pipes

tA – 25 mm
 tB – 50 mm
 Maximum aperture size 160 x 410 mm



Service Type	Service Size (mm)	Wall thickness (mm)	Seal depth tA (mm)	Annular gap (mm)	Insulation type	Insulation thickness (mm)	Max. seal size	Classification
Copper, steel and cast-iron pipes Linear (0 mm)	≤42 Ø	≥1.2	12.5	20	Kingspan Kooltherm : CS config	15-32	410 mm x 160 mm (l x h)	E 45 / EI 20 C/U
Copper, steel and cast-iron pipes Linear (0 mm)					Armacell Armaflex: CS config	9-32	405 mm x 160 mm (l x h)	E 60 / EI 30 C/U



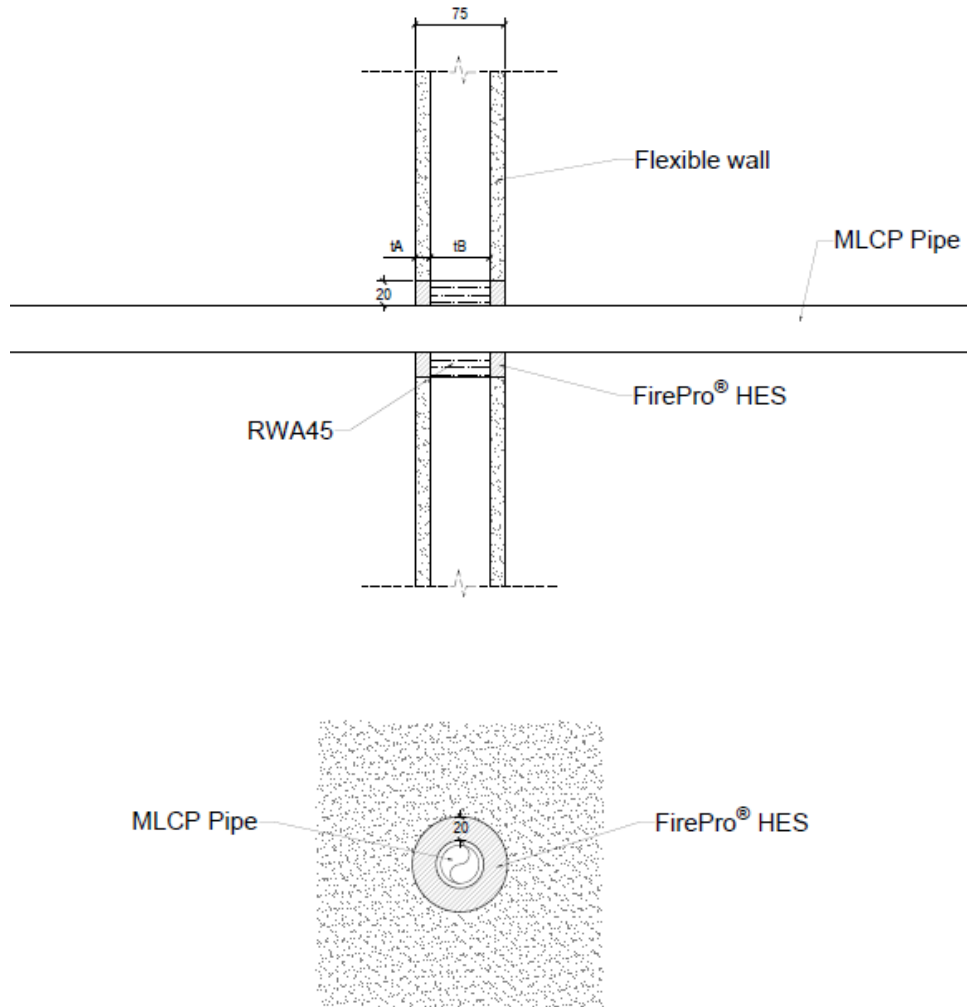
Solutions

Form-ULID-006104 V9.0

Appendix UL-EU CERTIFICATE UL-EU-01349-EN

MLCP Pipes

tA – 12.5 mm
 tB – 50 mm
 Maximum aperture size 80 mm Ø



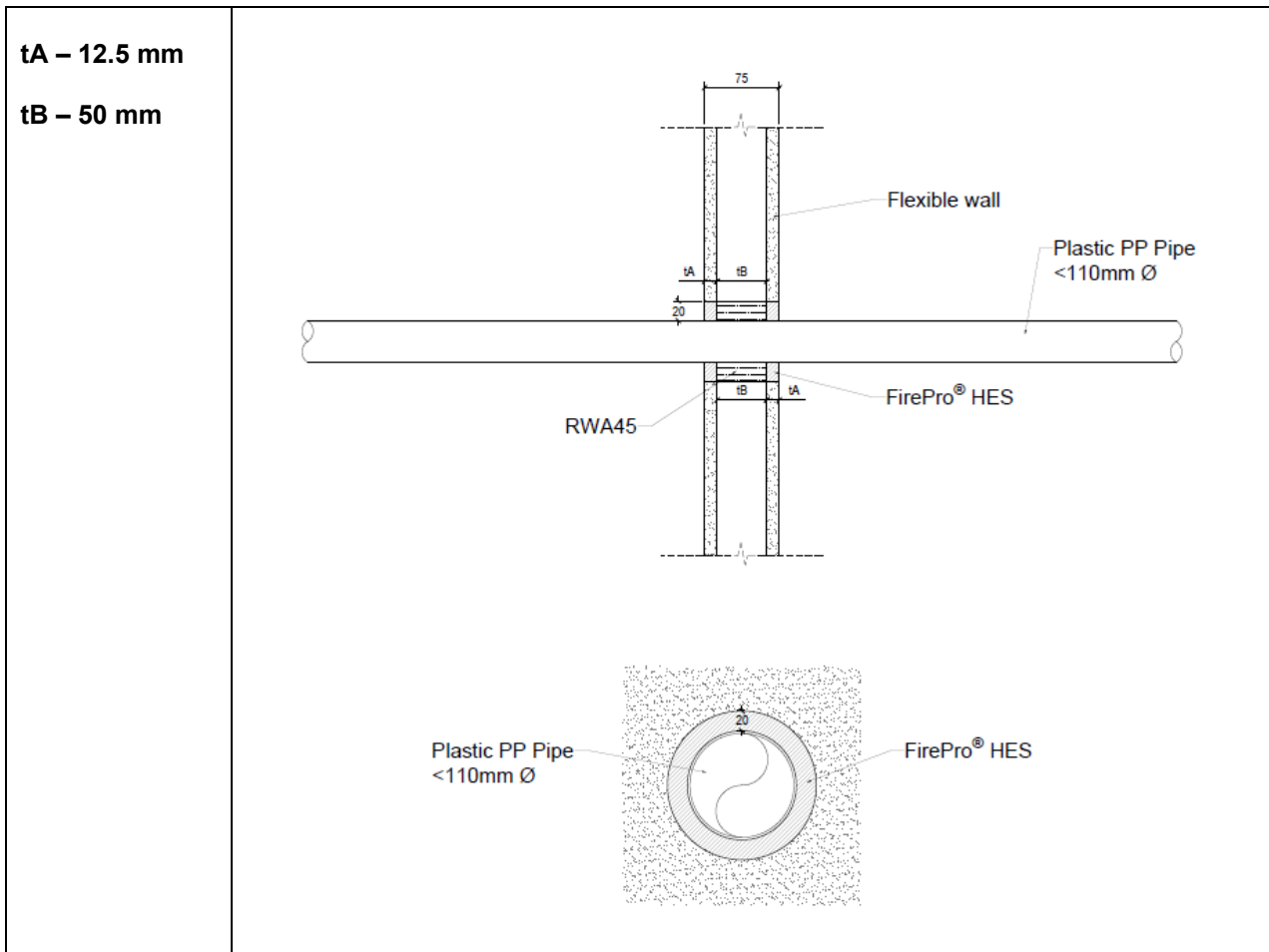
Pipe material	Pipe size (mm)	Pipe wall thickness (mm)	HES depth (mm)	Annular gap (mm)	Backing material	Max. seal size	Classification
UPONOR Uni Pipe Plus PP-RT/AL/PP-RT	40 Ø	4	12.5	20	50mm thick 45kg/m ³ stone wool	80mm Ø	EI 60 U/C



Appendix UL-EU CERTIFICATE UL-EU-01349-EN

Plastic pipes

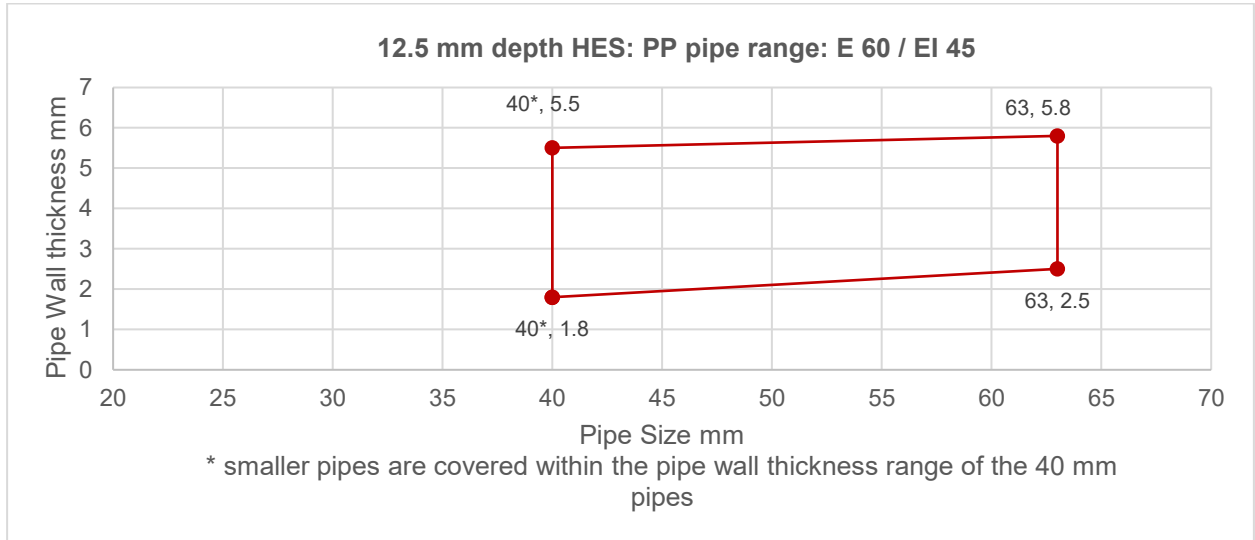
PP Pipes



Pipe material	Pipe size (mm)	Pipe wall thickness (mm)	HES depth (mm)	Annular gap (mm)	Backing material	Max. seal size	Classification
PP	40	1.8	12.5	20	50mm thick 45kg/m ³ stone wool	80mm Ø	E 60 / EI 45 U/C
		5.5					EI 60 U/C
	63	2.5				103mm Ø	E 60 / EI 45 U/C
		5.8					E 60 / EI 20 U/C
	110	2.7				150 mm Ø	EI 15 U/C
		10					EI 60 U/C

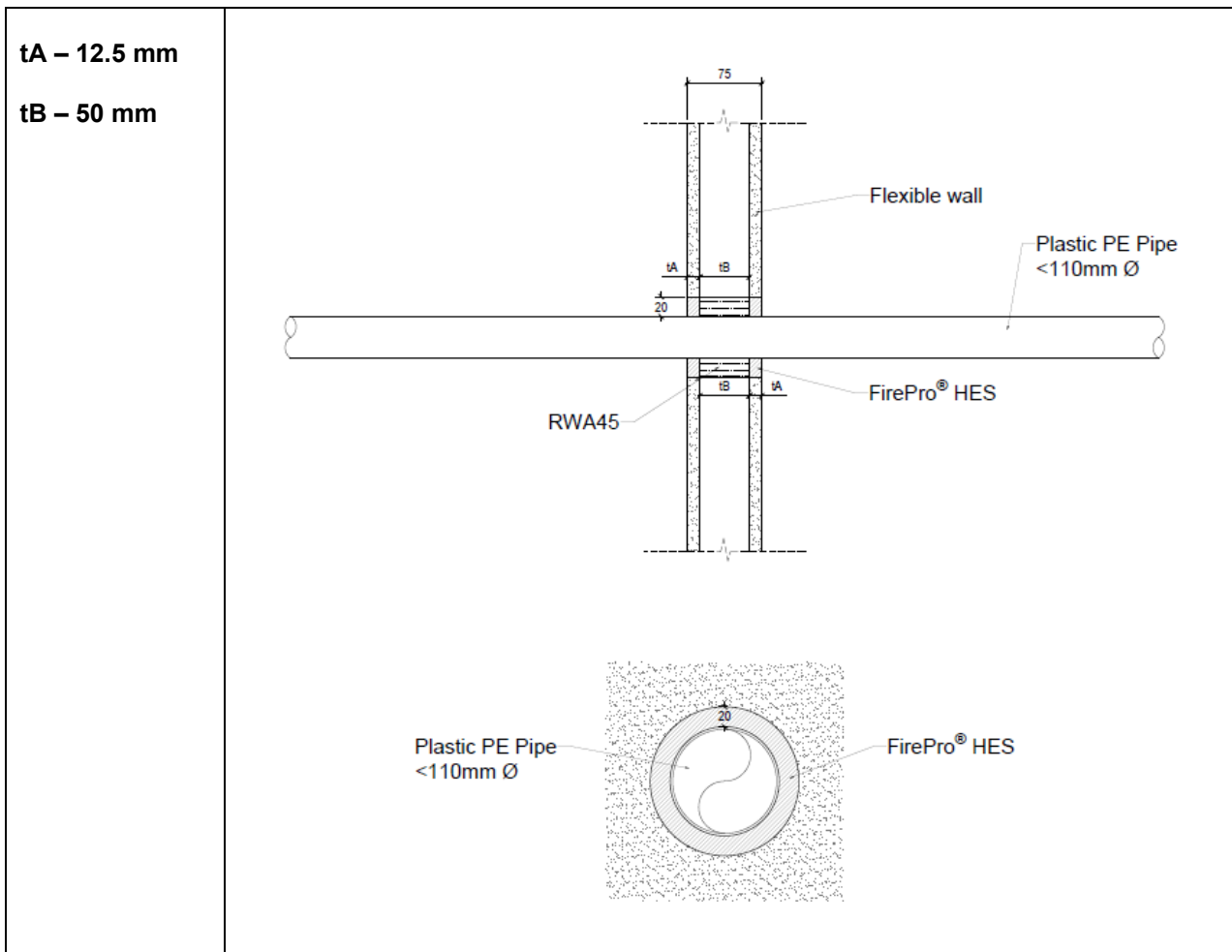


Appendix UL-EU CERTIFICATE UL-EU-01349-EN



Appendix UL-EU CERTIFICATE UL-EU-01349-EN

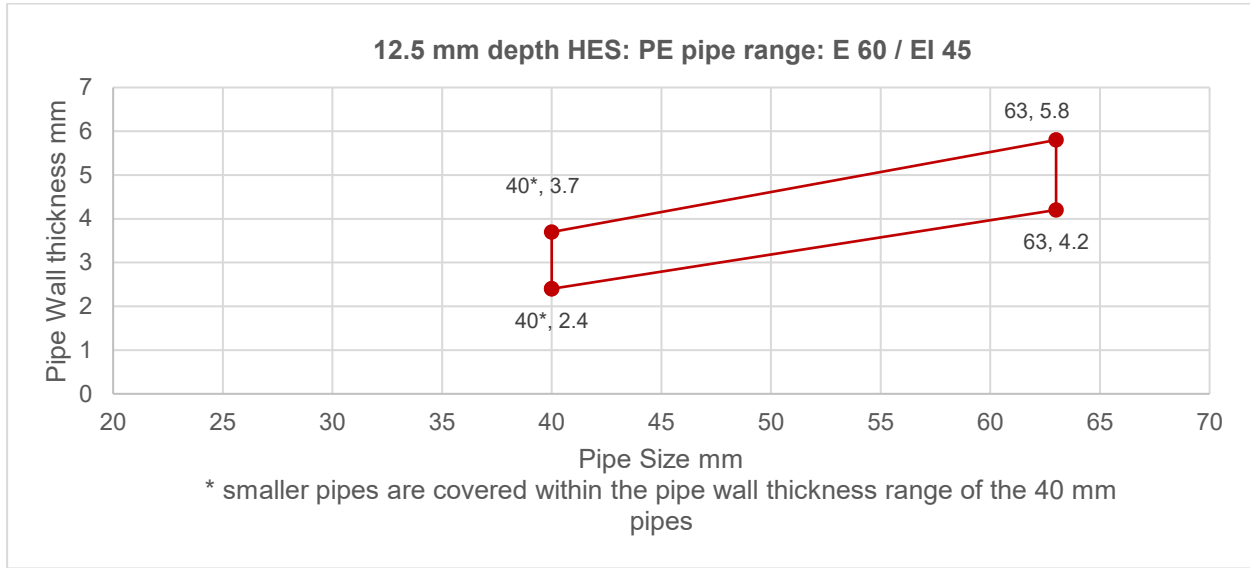
PE Pipes



Pipe material	Pipe size (mm)	Pipe wall thickness (mm)	HES depth (mm)	Annular gap (mm)	Backing material	Max. seal size	Classification
PE	40	2.4	12.5	20	50mm thick 45kg/m ³ stone wool	80mm Ø	EI 60 U/C
		3.7					EI 60 U/C
	63	4.2				103mm Ø	EI 60 U/C
		5.8					E 60 / EI 45 U/C
	110	4.2				150mm Ø	EI 30 U/C
		10					EI 15 U/C



Appendix UL-EU CERTIFICATE UL-EU-01349-EN

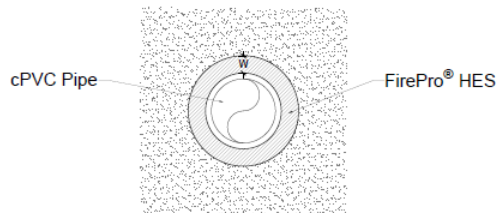
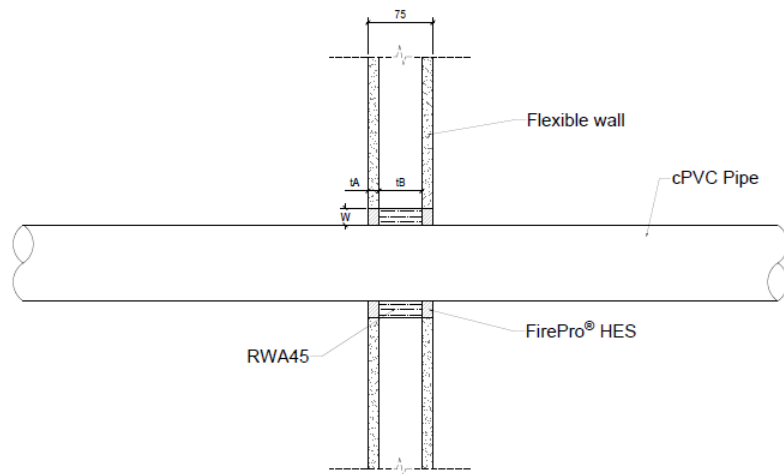
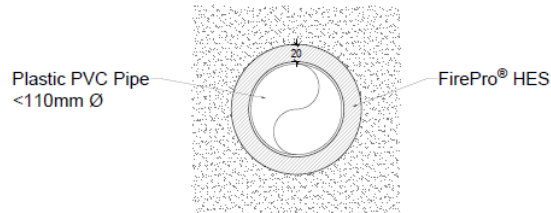
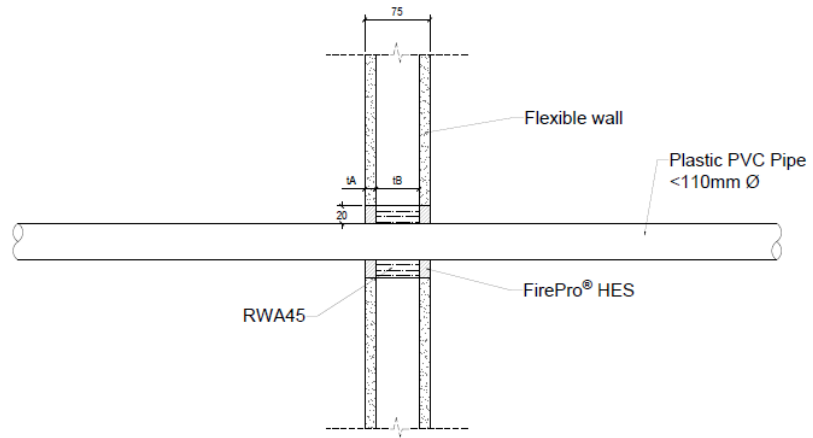


Appendix UL-EU CERTIFICATE UL-EU-01349-EN

PVC Pipes

tA – 12.5 mm

tB – 50 mm

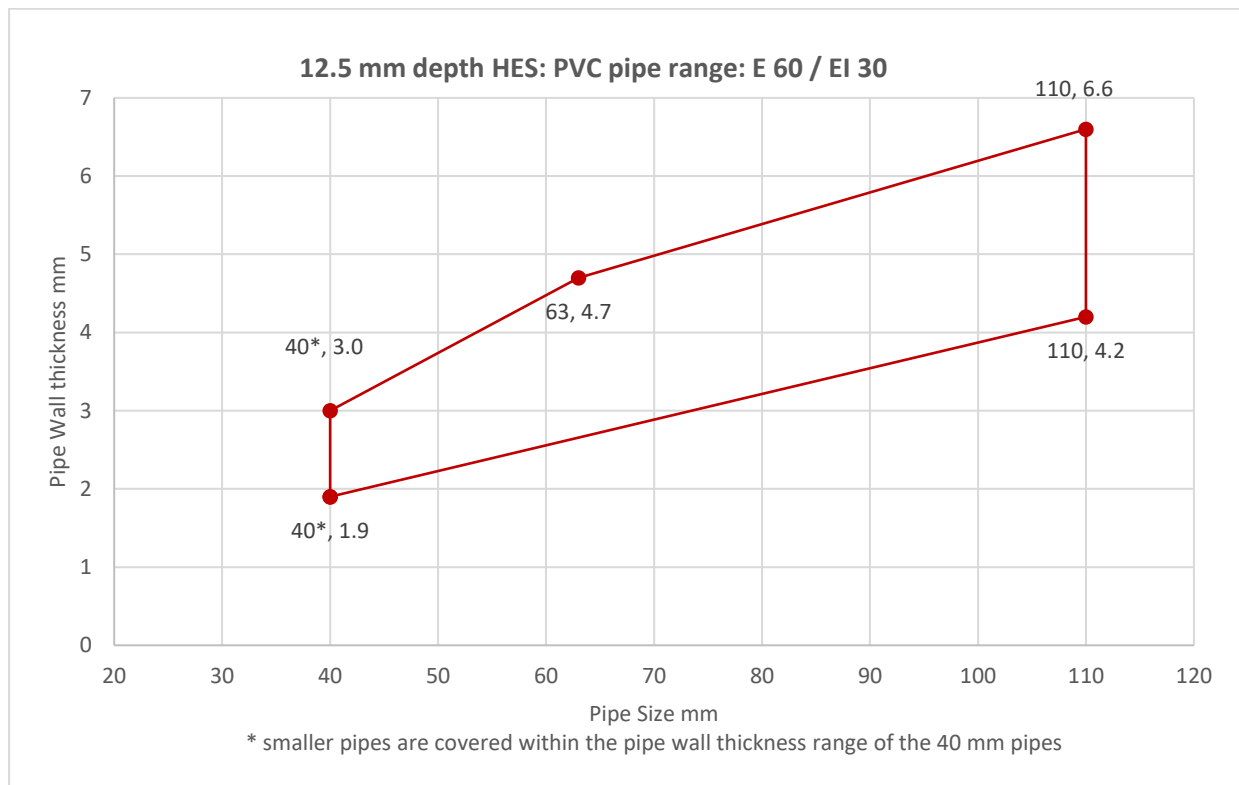


Solutions

Form-ULID-006104 V9.0

Appendix UL-EU CERTIFICATE UL-EU-01349-EN

Pipe material	Pipe size (mm)	Pipe wall (mm)	HES depth (mm)	Annular gap (mm)	Backing material	Max. seal size	Classification
cPVC BlazeMaster	26	2.1	12.5	17.5	50mm thick 45kg/m ³ stone wool	60mm Ø	EI 60 U/C
cPVC FlameGuard		2.0					EI 60 U/C
cPVC BlazeMaster	88	6.8		20		128mm Ø	EI 60 U/C
cPVC FlameGuard		7.2					E 45 / EI 30 U/C
PVC	40	1.9		80mm Ø		EI 60 U/C	
		3				EI 60 U/C	
	63	3		103mm Ø		EI 60 U/C	
		4.7				E 60 / EI 30 U/C	
	110	4.2	150mm Ø	EI 60 U/C			
		6.6		E 60 / EI 45 U/C			



Appendix UL-EU CERTIFICATE UL-EU-01349-EN

FirePro® HES seals within min double skin 100 mm Flexible wall

Cables

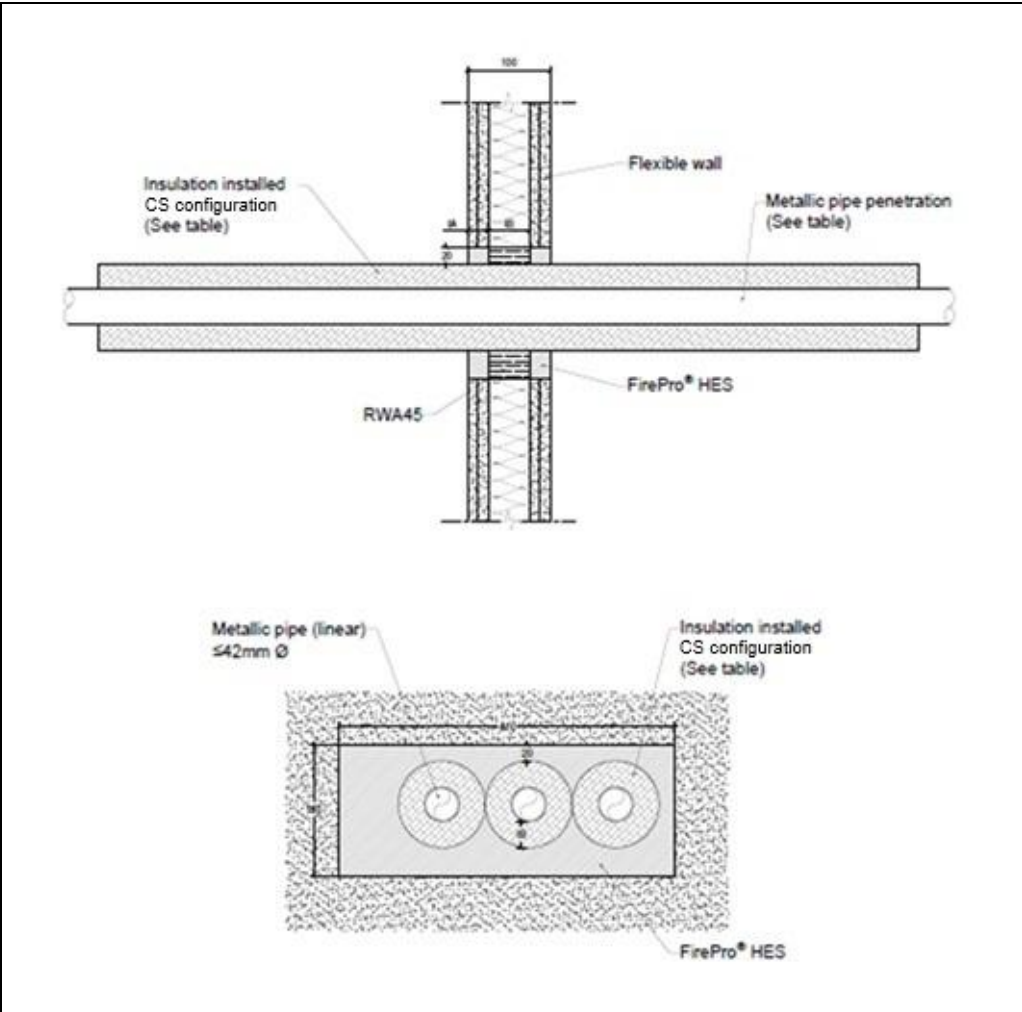
<p>tA – 25 mm</p> <p>tB – 50 mm</p> <p>Max. seal size – 150 x 150mm</p>						
Service Type	Service Size (mm)	HES depth tA (mm)	Min annulus (mm)	Backing material (tB)	Classification	
Blank	N/A	25	N/A	50 mm RWA45	EI 120	
Sheathed Cables	S		≤21		10	E 120 / EI 90
	M		≤50			E 120 / EI 90
	L		≤80			E 120 / EI 60
Cable bundles	≤Ø100 cable bundle ≤Ø21		EI 120 / EI 90			
Unsheathed cables	≤24	E 120 / EI 30				



Appendix UL-EU CERTIFICATE UL-EU-01349-EN

Metallic Pipes

tA – 25 mm
 tB – 50 mm
 Maximum aperture size 160 x 410 mm



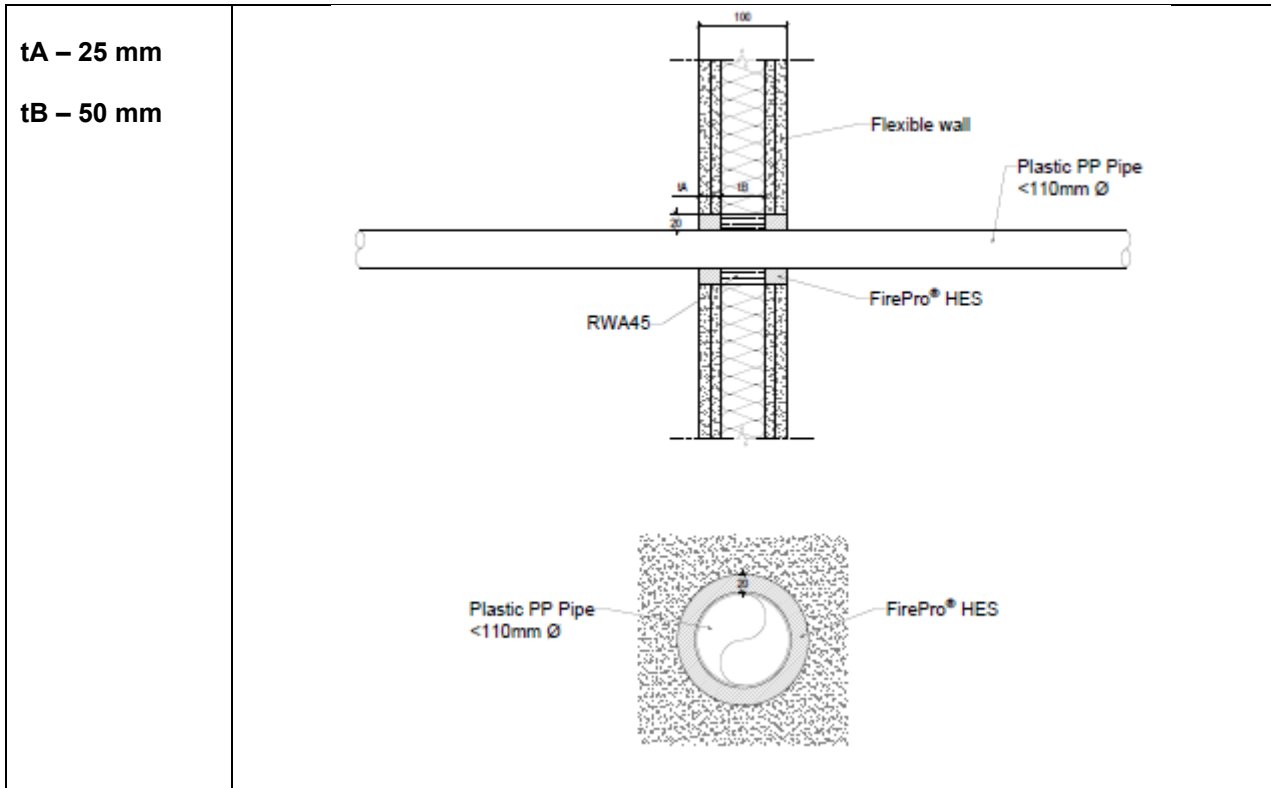
Service Type	Service Size (mm)	Wall thickness (mm)	Seal depth tA (mm)	Annular gap (mm)	Insulation type	Insulation thickness (mm)	Max. seal size	Classification
Copper; steel and cast-iron pipes Linear (0 mm)	≤42 Ø	≥1.2	25	20	Kingspan Kooltherm : CS config	15-30	410 mm x 160 mm (l x h)	E 120 / EI 90 C/U
Copper; steel and cast-iron pipes Linear (0 mm)					Armacell Armaflex: CS config	9-32	410 mm x 160 mm (l x h)	



Appendix UL-EU CERTIFICATE UL-EU-01349-EN

Plastic pipes

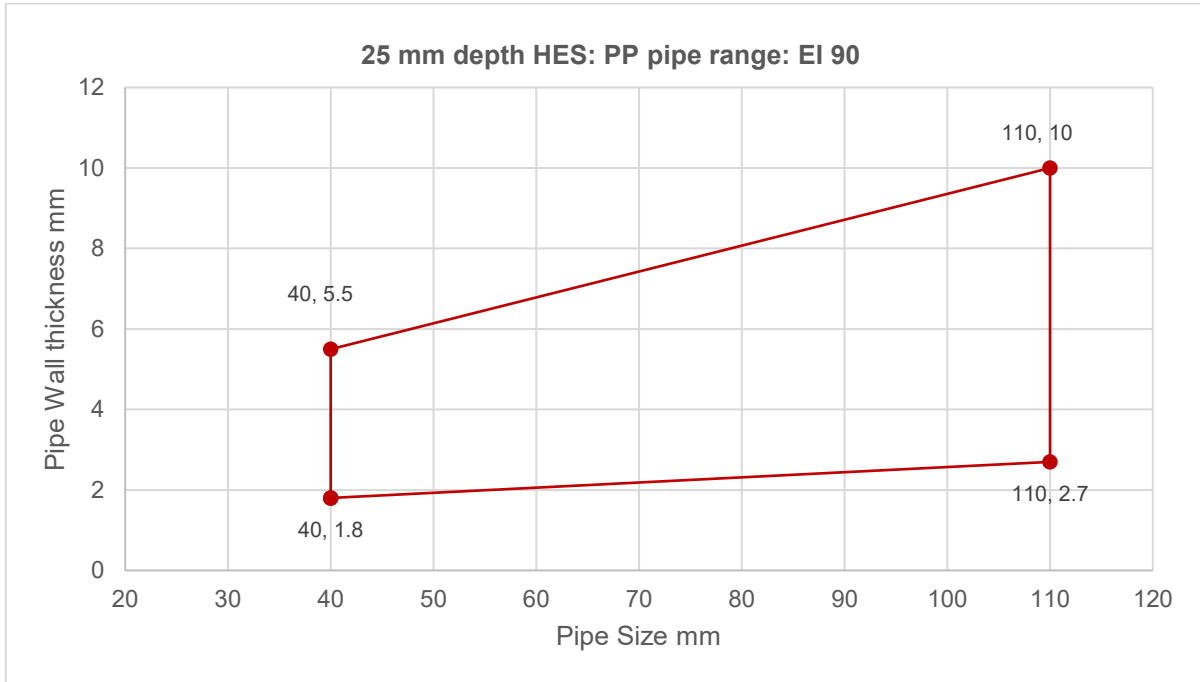
PP Pipes



Pipe material	Pipe size (mm)	Pipe wall thickness (mm)	HES depth (mm)	Annular gap (mm)	Backing material	Max. seal size	Classification
PP	40	1.8	25	20	50mm thick 45kg/m ³ stone wool	80mm Ø	EI 120 U/C
		5.5					EI 120 U/C
	63	2.5				103mm Ø	EI 90 U/C
		5.8					EI 120 U/C
	110	2.7				150mm Ø	EI 90 U/C
		10					EI 120 U/C

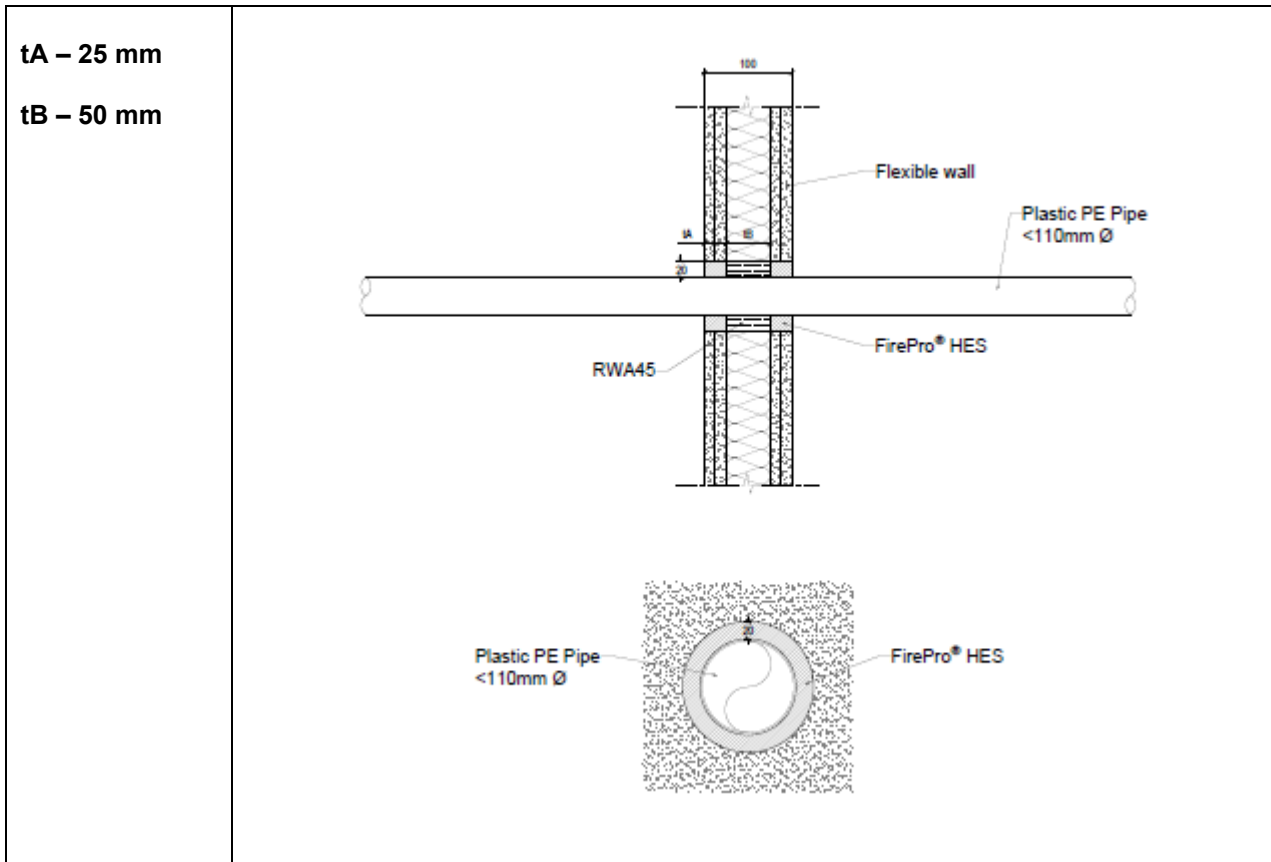


Appendix UL-EU CERTIFICATE UL-EU-01349-EN



Appendix UL-EU CERTIFICATE UL-EU-01349-EN

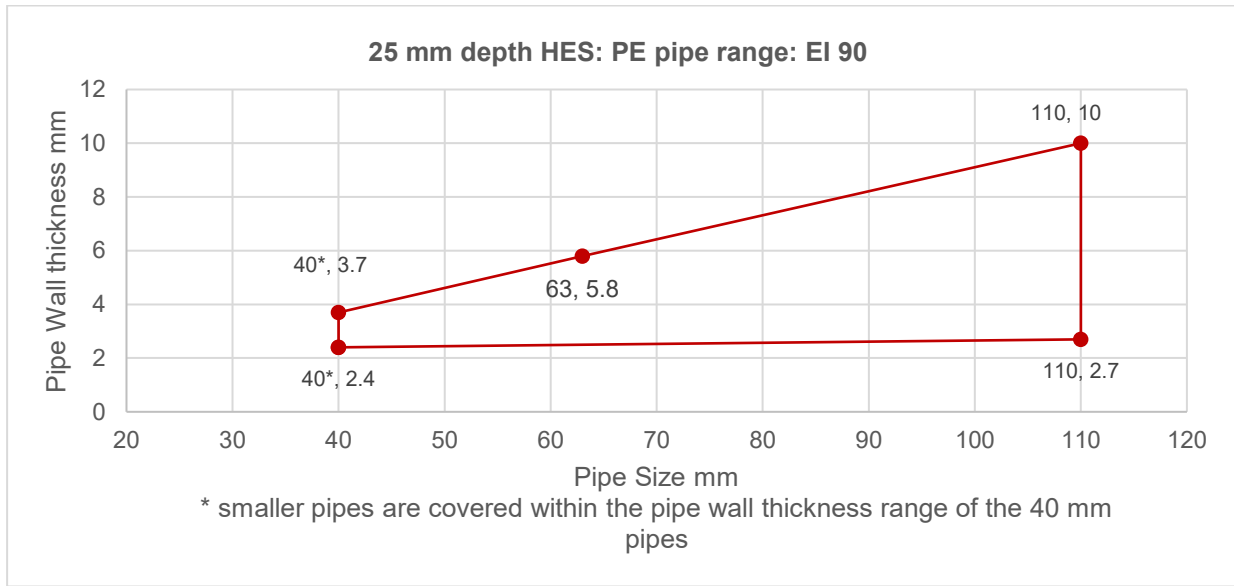
PE Pipes



Pipe material	Pipe size (mm)	Pipe wall thickness (mm)	HES depth (mm)	Annular gap (mm)	Backing Material (tB)	Max. seal size	Classification
PE	40	2.4	25	20	50mm thick 45kg/m ³ stone wool	80mm Ø	EI 120 U/C
		3.7					E 120 / EI 90 U/C
	63	4.2				103mm Ø	EI 120 U/C
		5.8					EI 120 U/C
	110	2.7				150mm Ø	EI 90 U/C
		10					E 120 / EI 90 U/C

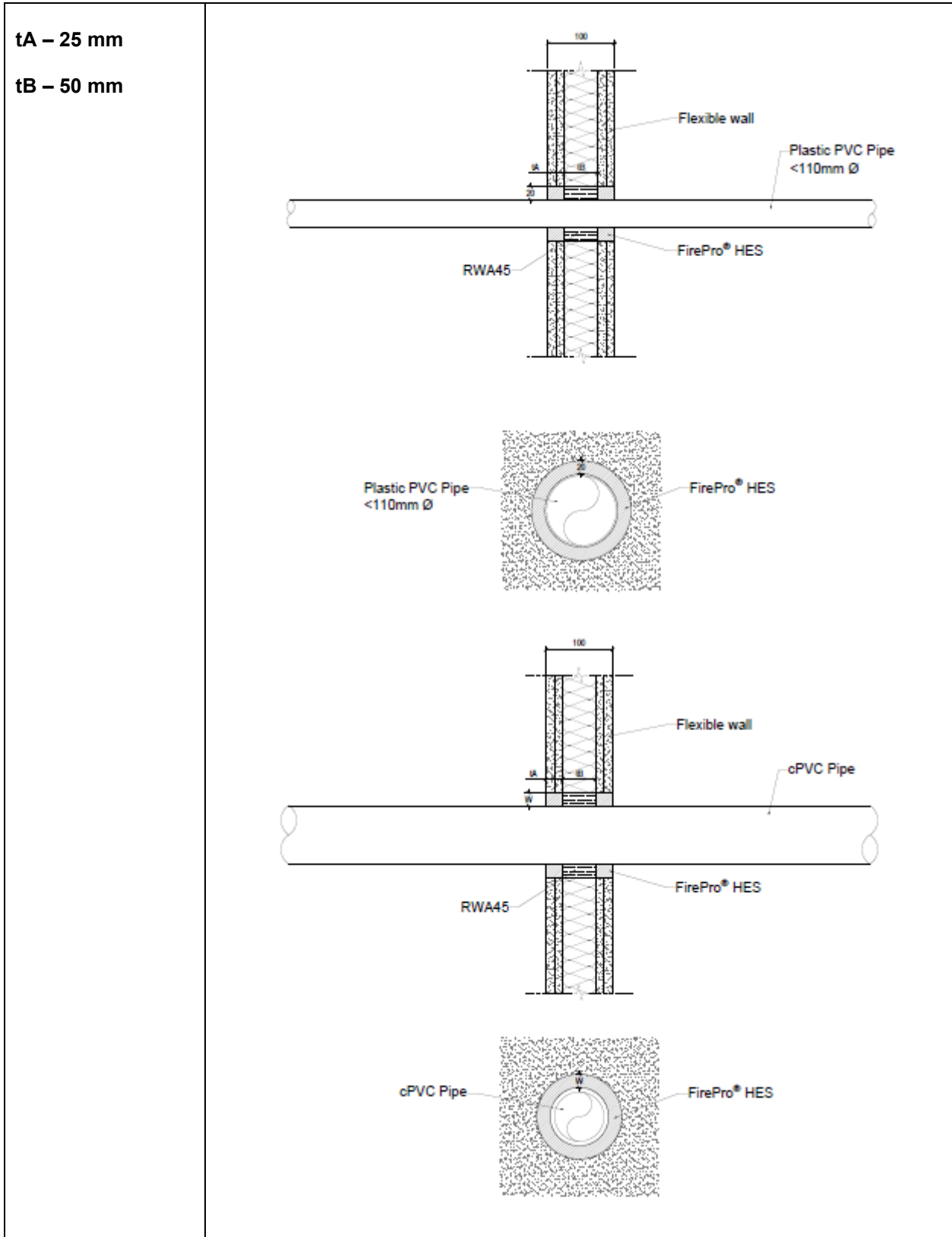


Appendix UL-EU CERTIFICATE UL-EU-01349-EN



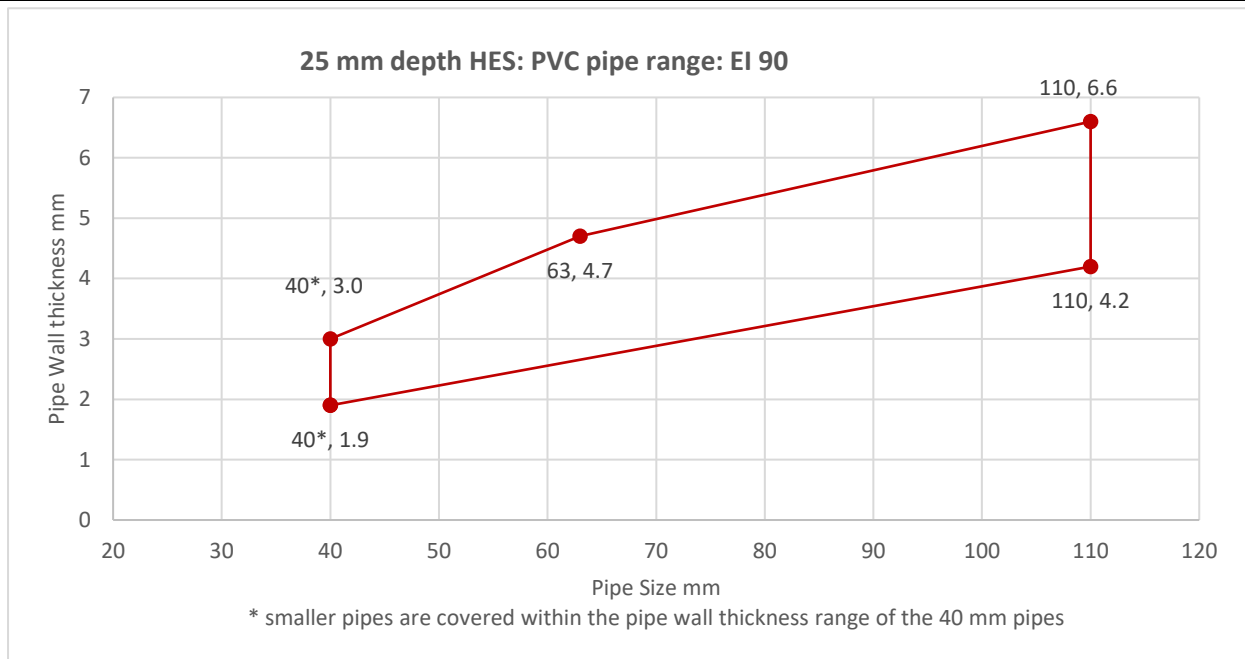
Appendix UL-EU CERTIFICATE UL-EU-01349-EN

PVC Pipes



Appendix UL-EU CERTIFICATE UL-EU-01349-EN

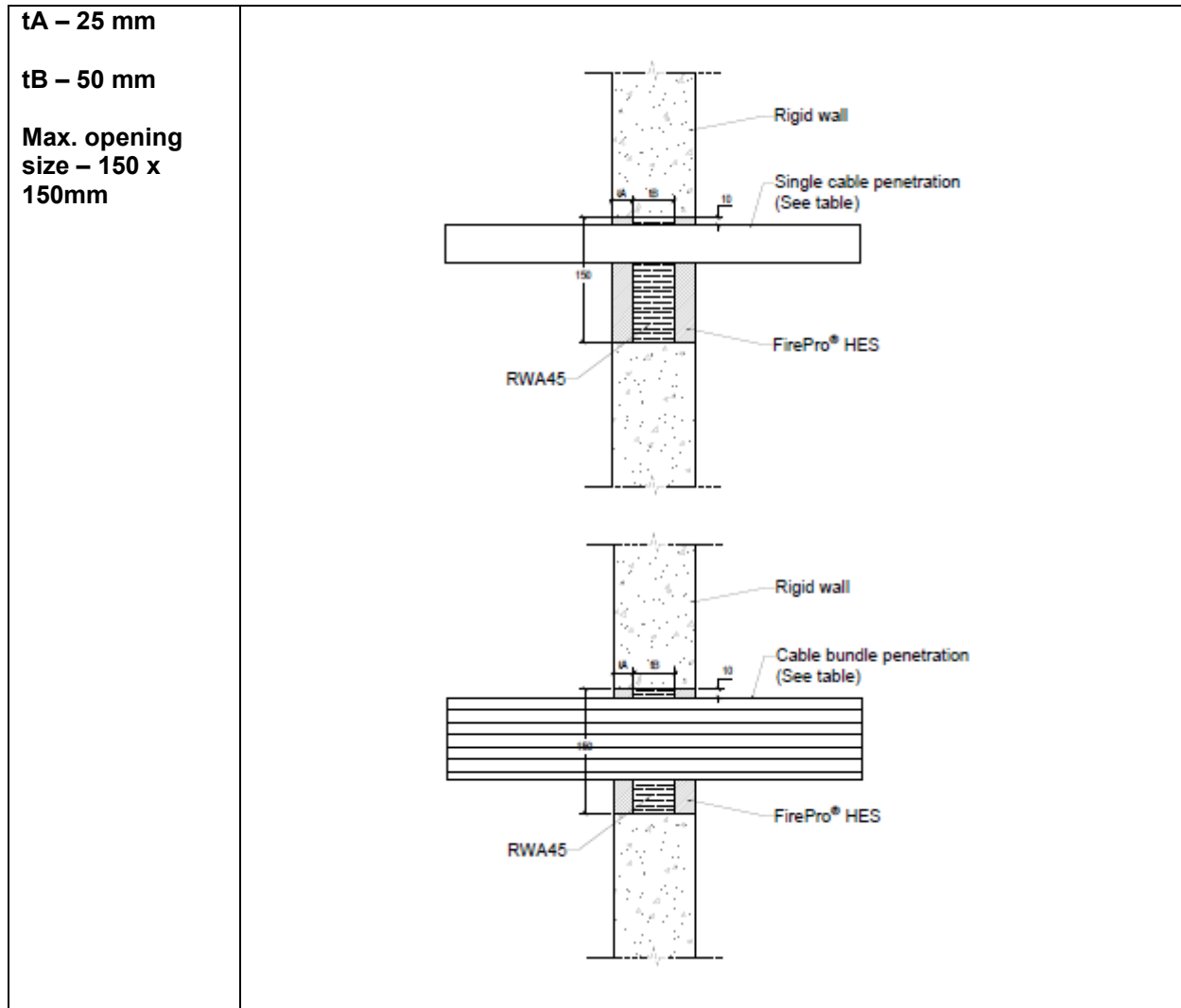
Pipe material	Pipe size (mm)	Pipe wall (mm)	HES depth (mm)	Annular gap (mm)	Backing Material (tB)	Max. seal size	Classification
cPVC FlameGuard	25	2.5	25	17.5	50mm thick 45kg/m ³ stone wool	60mm Ø	E 120 / EI 90 U/C
	88	8.0				127mm Ø	E 120 / EI 90 U/C
PVC	40	1.9		20		80mm Ø	E 120 / EI 90 U/C
		3					E 120 / EI 90 U/C
PVC-U	63	3		103mm Ø		EI 90 U/C	
		4.7				E 120 / EI 90 U/C	
PVC	110	4.2		150mm Ø		EI 90 U/C	
		6.6				E 120 / EI 90 U/C	



Appendix UL-EU CERTIFICATE UL-EU-01349-EN

FirePro® HES seals within min 100 mm Rigid wall

Cables



Service Type	Service Size (mm)	HES depth tA (mm)	Min annulus (mm)	Backing material (tB)	Classification	
Blank	N/A	25	N/A	50 mm RWA45	EI 120	
Sheathed Cables	S		≤21		10	E 120 / EI 60
	M		≤50			E 120 / EI 60
	L		≤80			E 120 / EI 60
Cable bundles	≤Ø100 cable bundle ≤Ø21		E 120 / EI 60			
Unsheathed cables	≤24	E 120 / EI 45				

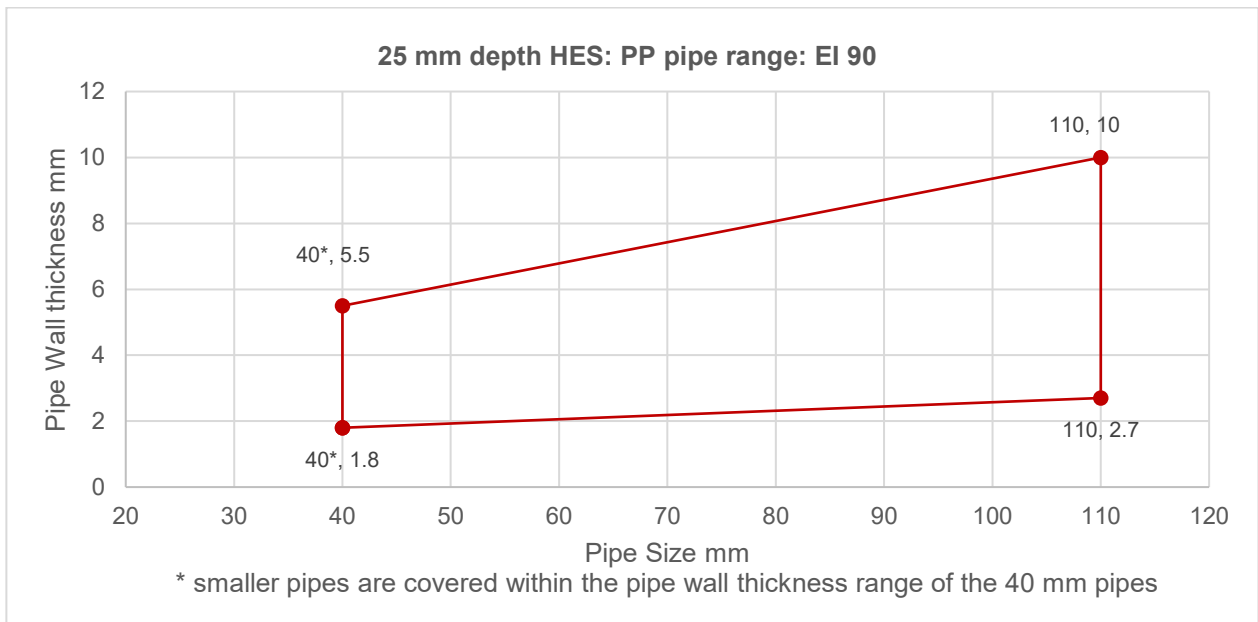


Appendix UL-EU CERTIFICATE UL-EU-01349-EN

Plastic pipes

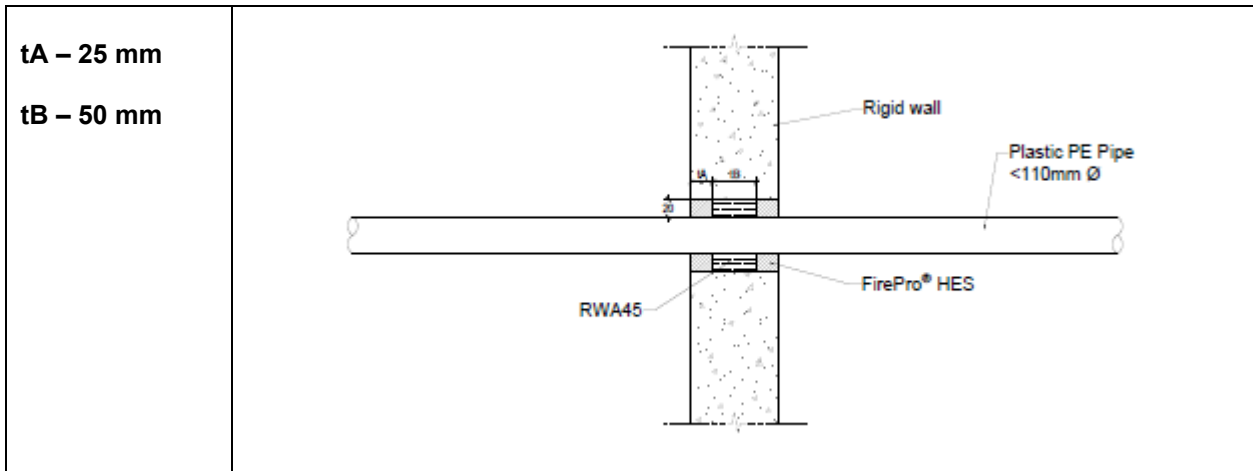
PP Pipes

<p>tA – 25 mm</p> <p>tB – 50 mm</p>							
Pipe material	Pipe size (mm)	Pipe wall thickness (mm)	HES depth (mm)	Annular gap (mm)	Backing Material (tB)	Max. seal size	Classification
PP	40	1.8	25	20	50mm thick 45kg/m ³ stone wool	80mm Ø	EI 90 U/C
		5.5					EI 120 U/C
	110	2.7				EI 120 U/C	
		10				EI 120 U/C	

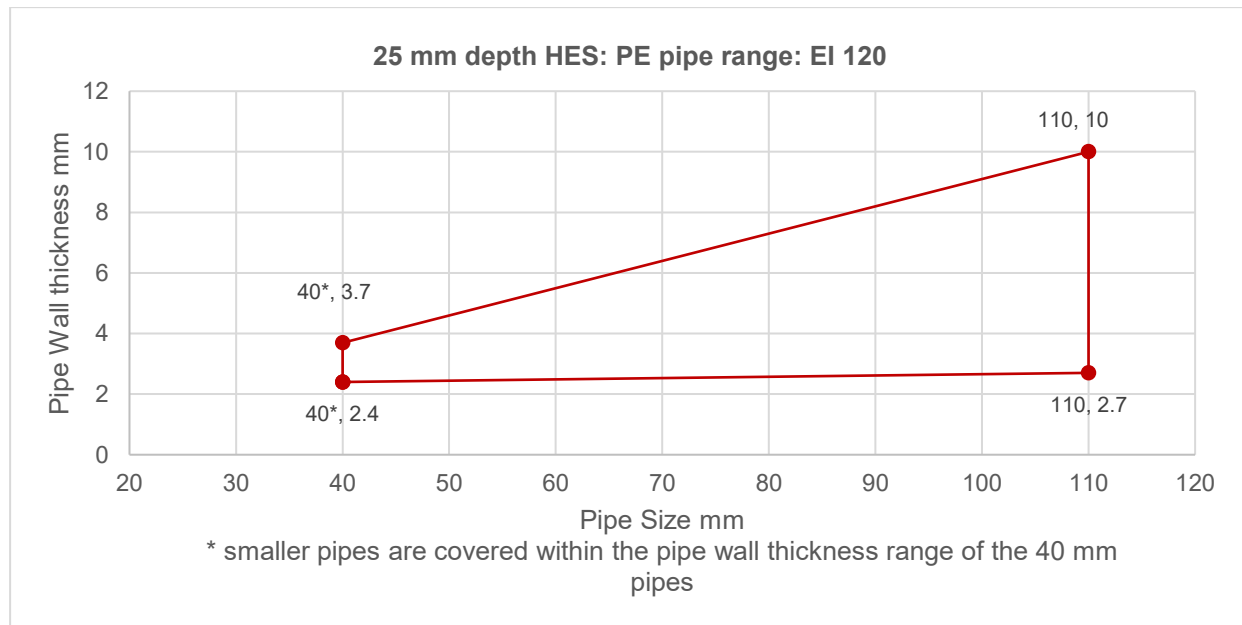


Appendix UL-EU CERTIFICATE UL-EU-01349-EN

PE Pipes

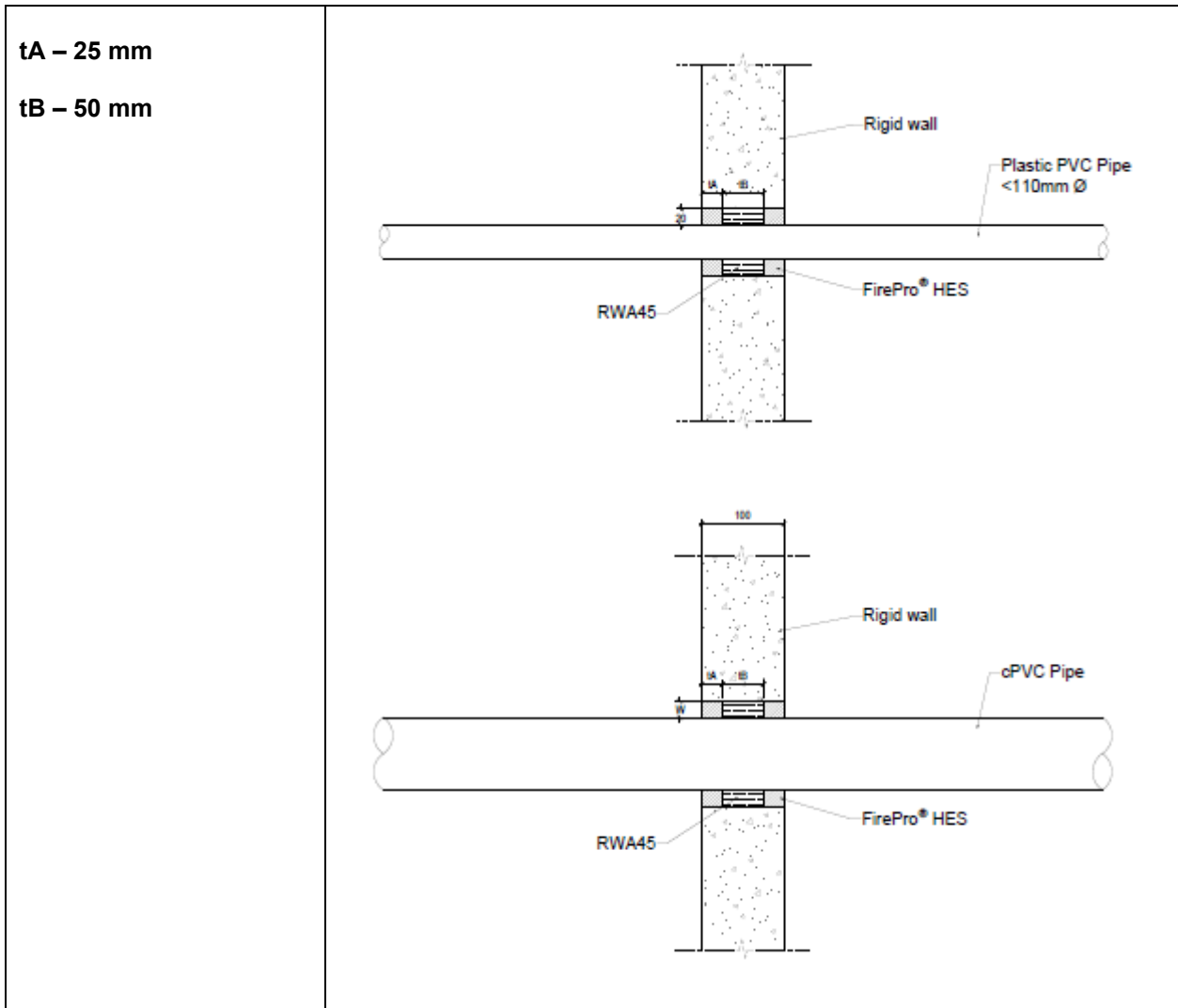


Pipe material	Pipe size (mm)	Pipe wall thickness (mm)	HES depth (mm)	Annular gap (mm)	Backing Material (tB)	Max. seal size	Classification
PE	40	2.4	25	20	50mm thick 45kg/m ³ stone wool	80mm Ø	EI 120 U/C
		3.7					EI 120 U/C
	110	2.7				150mm Ø	EI 120 U/C
		10					EI 120 U/C



Appendix UL-EU CERTIFICATE UL-EU-01349-EN

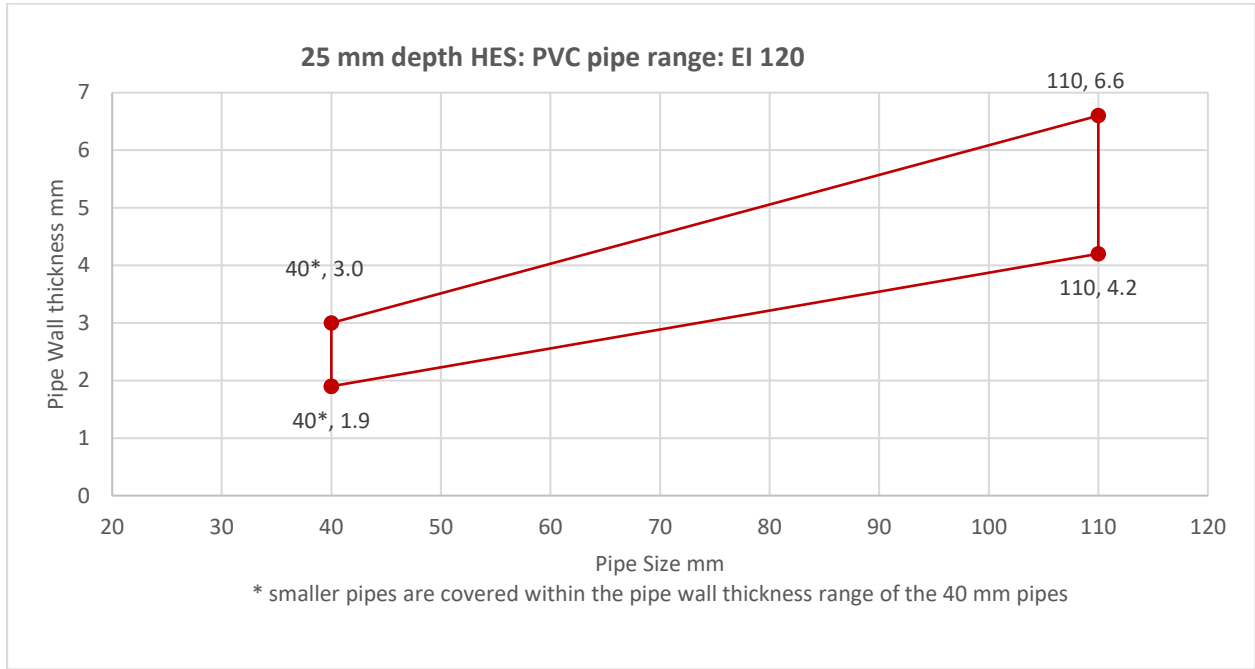
PVC Pipes



Pipe material	Pipe size (mm)	Pipe wall (mm)	HES depth (mm)	Annular gap (mm)	Backing Material (tB)	Max. seal size	Classification
cPVC FlameGuard	25	2.5	25	17.5	50mm thick 45kg/m ³ stone wool	60mm Ø	EI 120 U/C
	88	8.0		127mm Ø		EI 120 U/C	
PVC	40	1.9		20		80mm Ø	EI 120 U/C
		3		EI 120 U/C			
	110	4.2		150mm Ø		EI 120 U/C	
		6.6		EI 120 U/C			



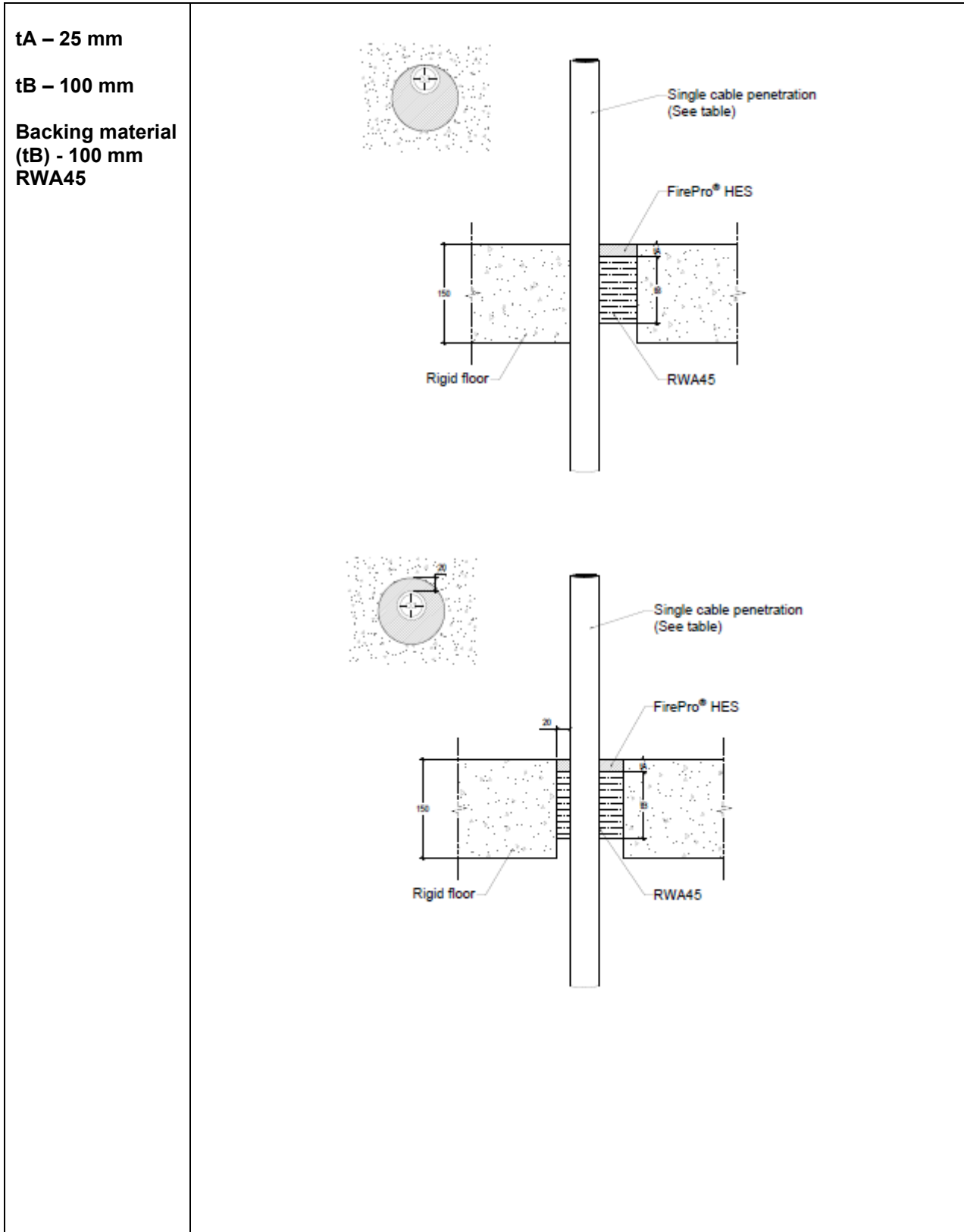
Appendix UL-EU CERTIFICATE UL-EU-01349-EN



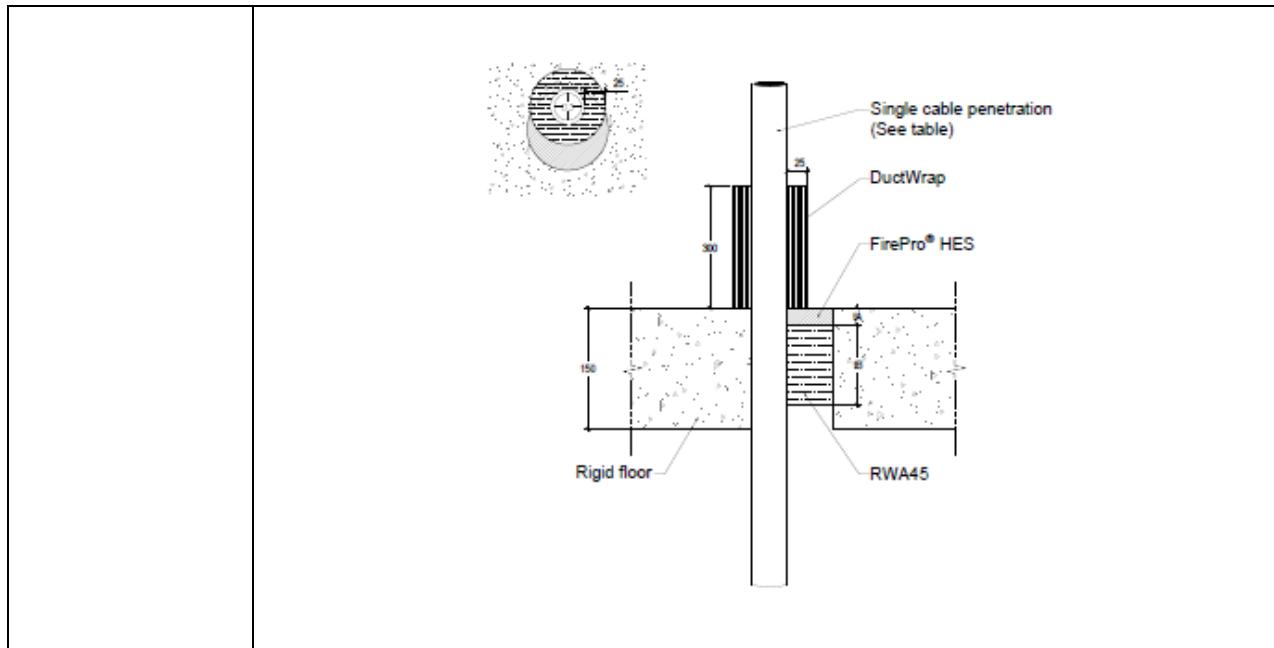
Appendix UL-EU CERTIFICATE UL-EU-01349-EN

FirePro® HES seals within min 150 mm thick rigid floor

Cables



Appendix UL-EU CERTIFICATE UL-EU-01349-EN

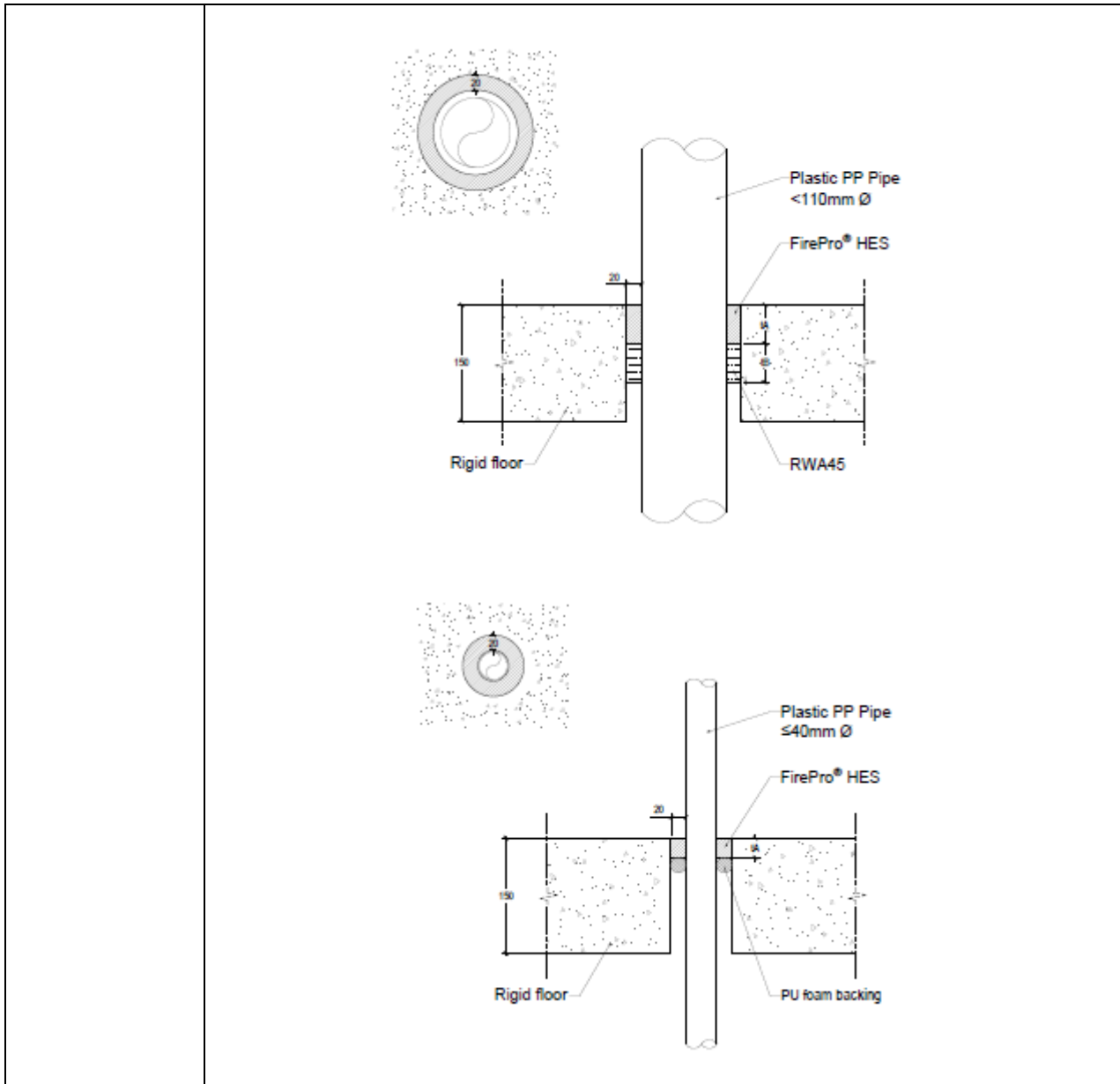


Service Type		Service Size	HES depth tA (mm)	Min annulus (mm)	Max. seal size	Additional protection (mm)	Classification			
Blank		N/A	25	N/A	200 x 200mm	N/A	EI 240			
Sheathed Cables	S	≤21 mm		0	100mm Ø		E 240 / EI 60			
	M	≤50 mm								
	L	≤80 mm								
Cable bundles		≤Ø100 mm cable bundle ≤Ø21 mm			160mm Ø			E 240 / EI 60		
Unsheathed cables		≤24 mm								
Sheathed Cables	S	≤21 mm			20				100mm Ø	E 240 / EI 90
	M	≤50 mm								
	L	≤80 mm								
Cable bundles		≤Ø100 mm cable bundle ≤Ø21 mm		160mm Ø					E 240 / EI 120	
Unsheathed cables		≤24 mm								
Sheathed Cables	S	≤21 mm		0						
	M	≤50 mm								
	L	≤80 mm								
Cable bundles		≤Ø100 mm cable bundle ≤Ø21 mm	160mm Ø		E 240 / EI 90					
Unsheathed cables		≤24 mm								
						100mm Ø	E 240 / EI 120			



Appendix UL-EU CERTIFICATE UL-EU-01349-EN

PP Pipes

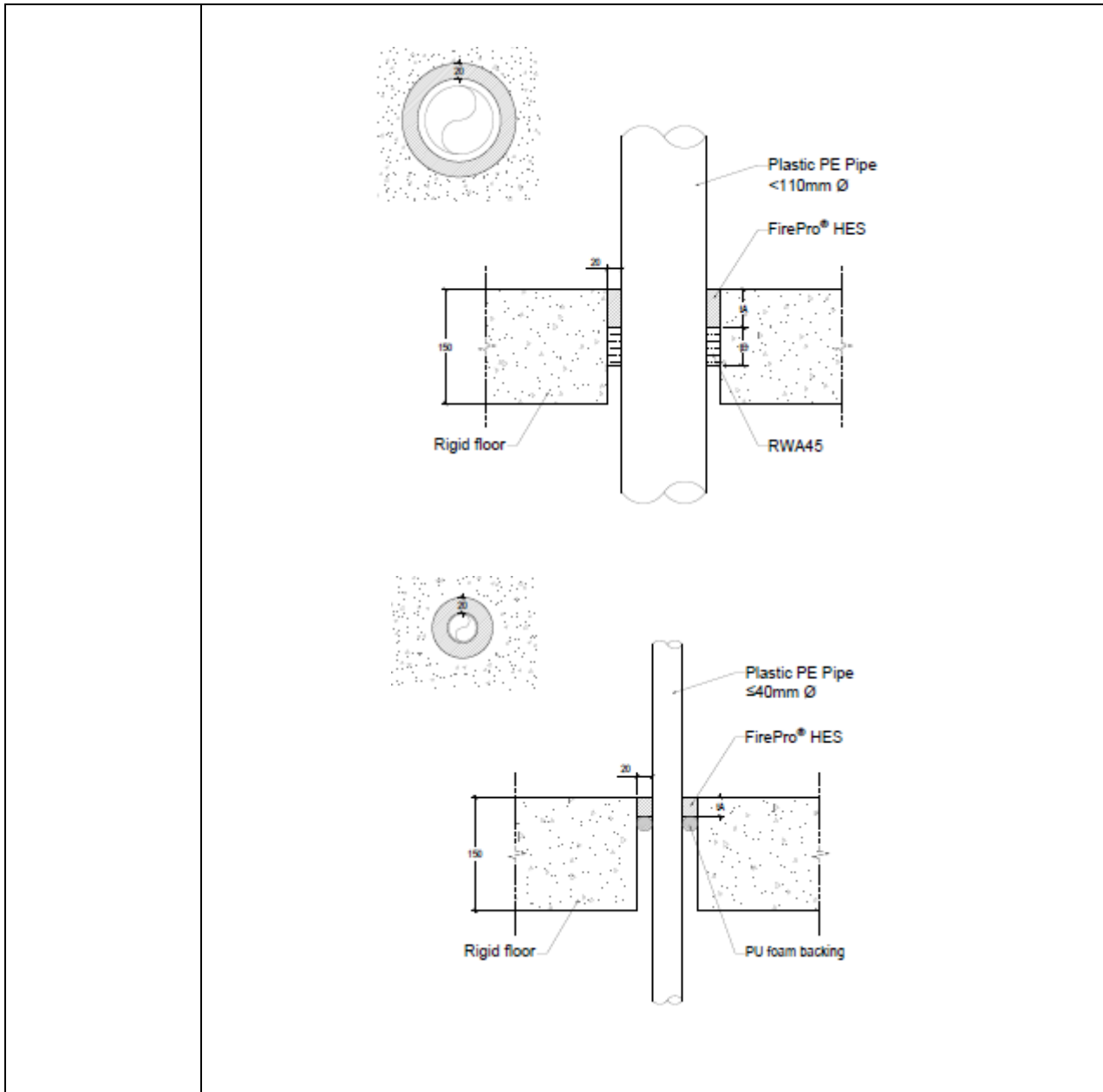


Pipe material	Pipe size (mm)	Pipe wall thickness (mm)	HES depth (mm)	Annular gap (mm)	Backing material	Max. seal size	Classification	
PP	≤ 40	1.8 - 5.5	25	20	50mm thick PU foam backer	80mm \varnothing	EI 90 U/C	
	40	1.8					E120 / EI 90 U/C	
		5.5					EI 90 U/C	
	110	2.7	10		50	50mm thick RWA45	150mm \varnothing	EI 120 U/C
								EI 120 U/C



Appendix UL-EU CERTIFICATE UL-EU-01349-EN

PE Pipes

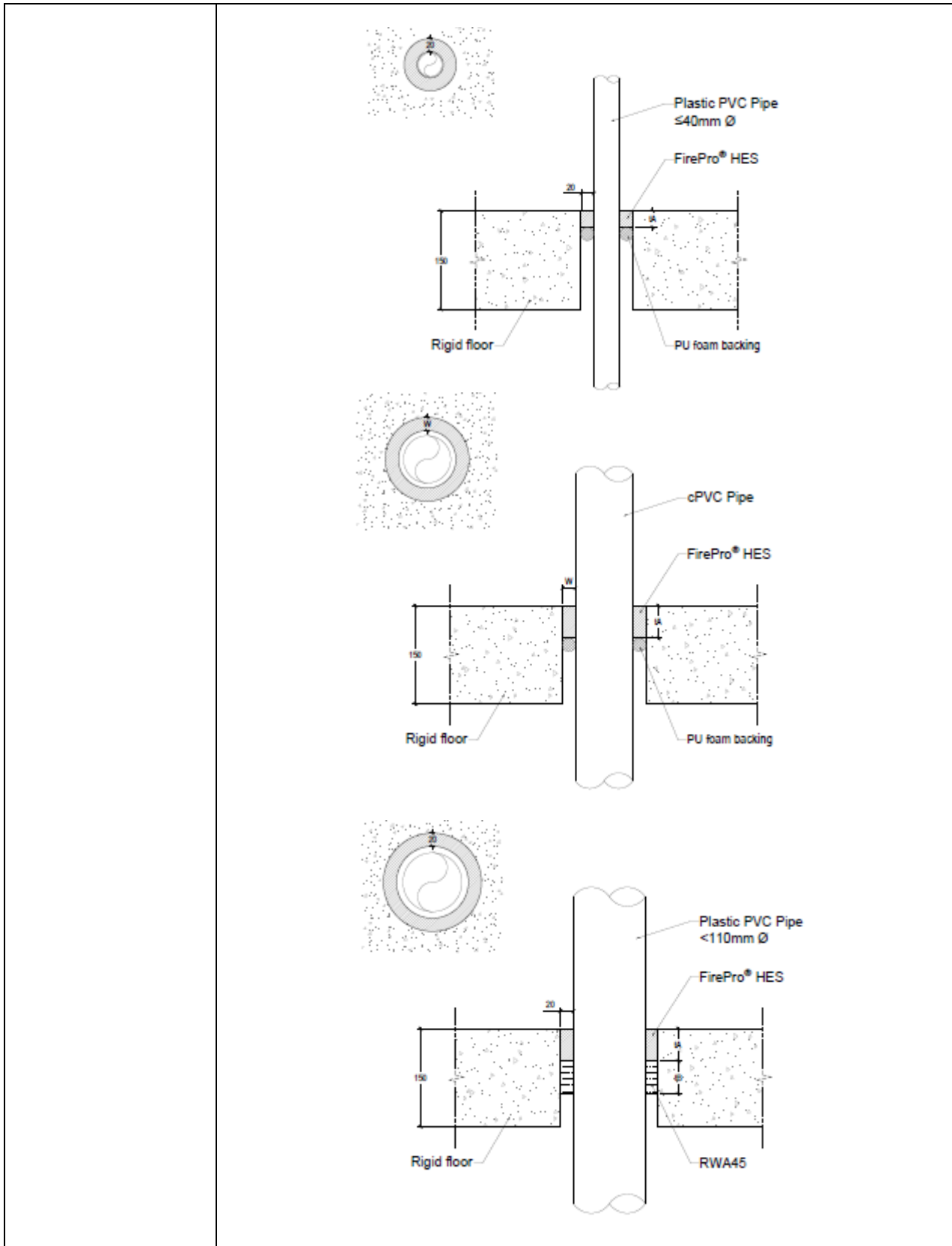


Pipe material	Pipe size (mm)	Pipe wall thickness (mm)	HES depth (mm)	Annular gap (mm)	Backing material	Max. seal size	Classification
PE	≤40	2.4 – 3.7	25	20	50mm thick PU foam backer	80mm Ø	EI 120 U/C
	40	2.4					EI 120 U/C
		3.7					EI 120 U/C
	110	2.7	50		50mm thick RWA45	150mm Ø	E 120 / EI 90 U/C
		10			EI 180 U/C		



Appendix UL-EU CERTIFICATE UL-EU-01349-EN

PVC Pipes



Appendix UL-EU CERTIFICATE UL-EU-01349-EN

Pipe material	Pipe size (mm)	Pipe wall thickness (mm)	HES depth (mm)	Annular gap (mm)	Backing material	Max. seal size	Classification
PVC	≤40	1.9 – 3.0	25	20	50mm thick PU foam backer	80mm Ø	E 120 / EI 90 U/C
cPVC BlazeMaster	27	3.5	50	17.5		60mm Ø	EI 120 U/C
	88	8		20		127mm Ø	E 120 / EI 90 U/C
cPVC FlameGuard	27	3.5		17.5		60mm Ø	EI 120 U/C
	88	8		20		127mm Ø	EI 120 U/C
PVC	40	1.9	25			80mm Ø	EI 120 / EI 90 U/C
		3.0	50		EI 120 U/C		
	110	6.6			50mm thick 45kg/m ³ Stone wool	150mm Ø	EI 120 U/C



Appendix UL-EU CERTIFICATE UL-EU-01349-EN

The UL-EU Marks, displayed below represent the enhanced and alternate version of the product marking. Either Mark can be used. These Marks shall appear on certified products only. Minimum size is not specified, as long as the Mark is legible. The following is suggested.



*Note: E12345 is an example of the UL file number.

The minimum height of the registered trademark symbol ® shall be 1 mm. When the overall diameter of the UL-EU Mark is less than 9.5 mm, the trademark symbol may be omitted if it is not legible to the naked eye.

The UL-EU Mark may appear on a label, nameplate, or may be cast, stamped or molded into the product. When appearing on a label or nameplate, the Manufacturer's name or trademark along with a model number and UL File number are also required on that same label or nameplate. If cast, stamped or molded, the Manufacturer's name or trademark and model number shall also appear elsewhere on the product.

All content shall be in accordance with the details provided on this UL-EU Certificate.

PROCUREMENT

The Production site may reproduce the Mark or obtain it from a UL authorized supplier. The list of UL authorized suppliers can be found on UL's online directory at www.ul.com.

